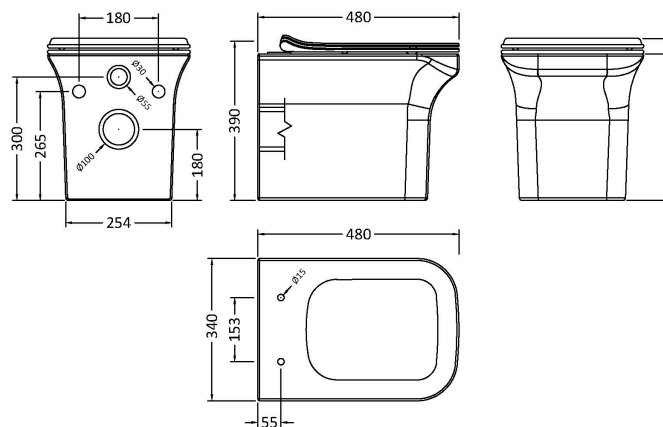


Sales Code: NCG540

Description: Ava Rimless Wall Hung Pan & Sc Seat



Product Dimensions

| | |
|-------------------|-----|
| Height (mm): | 390 |
| Width (mm): | 340 |
| Depth (mm): | 480 |
| Nett Weight (kg): | 26 |

Packaging Dimensions

| | |
|--------------------|-----|
| Height (mm): | 530 |
| Width (mm): | 430 |
| Depth (mm): | 420 |
| Gross Weight (kg): | 29 |

Packaging Data

| | |
|---------------|-------------------------------|
| Box Colour: | Brown Cardboard Box - Printed |
| Box Qty: | 1 |
| Label Size: | x |
| Label Colour: | |
| Label Qty: | |

Outer Box Dimensions (If Applicable)

| | |
|--------------------|---------------|
| Height (mm): | |
| Width (mm): | |
| Depth (mm): | |
| Gross Weight (kg): | |
| Barcode: | 5056211885146 |

Product Details

| | |
|----------------------|--------------------------------|
| Country of Origin: | China |
| Fitting Instruction: | No |
| Certification: | CE: Yes WRAS: N/A WRAS No: N/A |
| Product Material: | Vitreous China |
| Fixing Supplied: | No |

Pans/Bidets: Trap Style: P Trap Includes Seat: No

Seats: Seat Type: Round Material: Not Applicable
 Function: Not Applicable Hinge Type: Not Applicable
 Hinge Material: Not Applicable

Cisterns: Operating Type: Not Applicable Fittings: Not Applicable
 Lever Type: Not Applicable

Basins: Tap Hole: Not Applicable Chain Stay Hole: Not Applicable
 Template: Not Applicable Waste Type Req: Not Applicable
 Overflow Inc: Not Applicable Overflow Cover: Not Applicable
 Inner Bowl Depth (mm): N/A