

D-SHAPE BATH - 1700 X 800 X 580MM WSDSH17

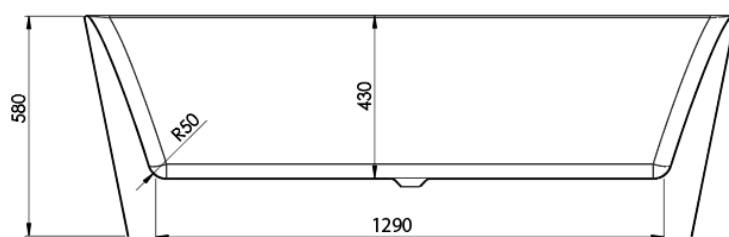
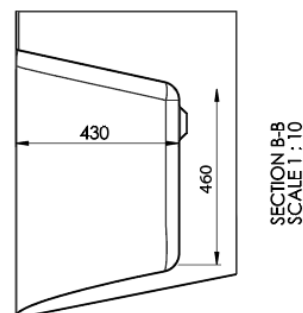
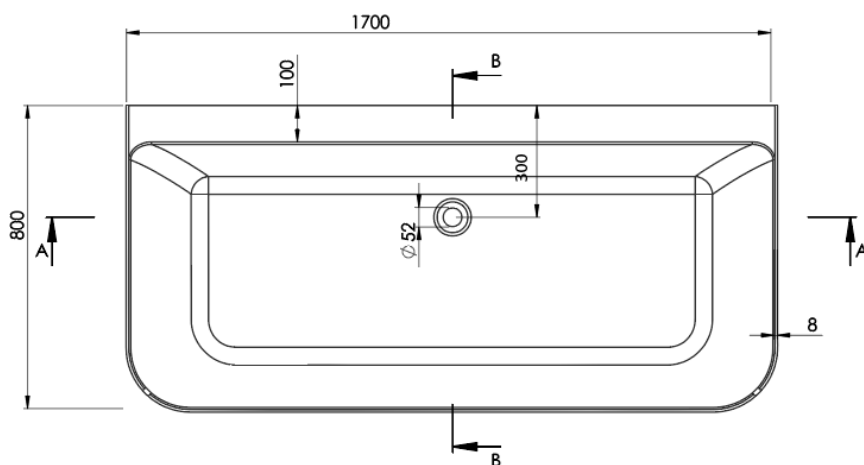
SKU: WSDSH17

MANUFACTURER: THE WHITE SPACE

RANGE: FREESTANDING BATHS

PRODUCT INFORMATION:

1700 X 800 X 580MM. 261 LITRE CAPACITY - WHITE



SECTION A-A
SCALE 1 : 10

Dim.cm	A	B	H	D	W/C	G.Weight
170x80	1700	800	580	430	261 L	62 Kg

