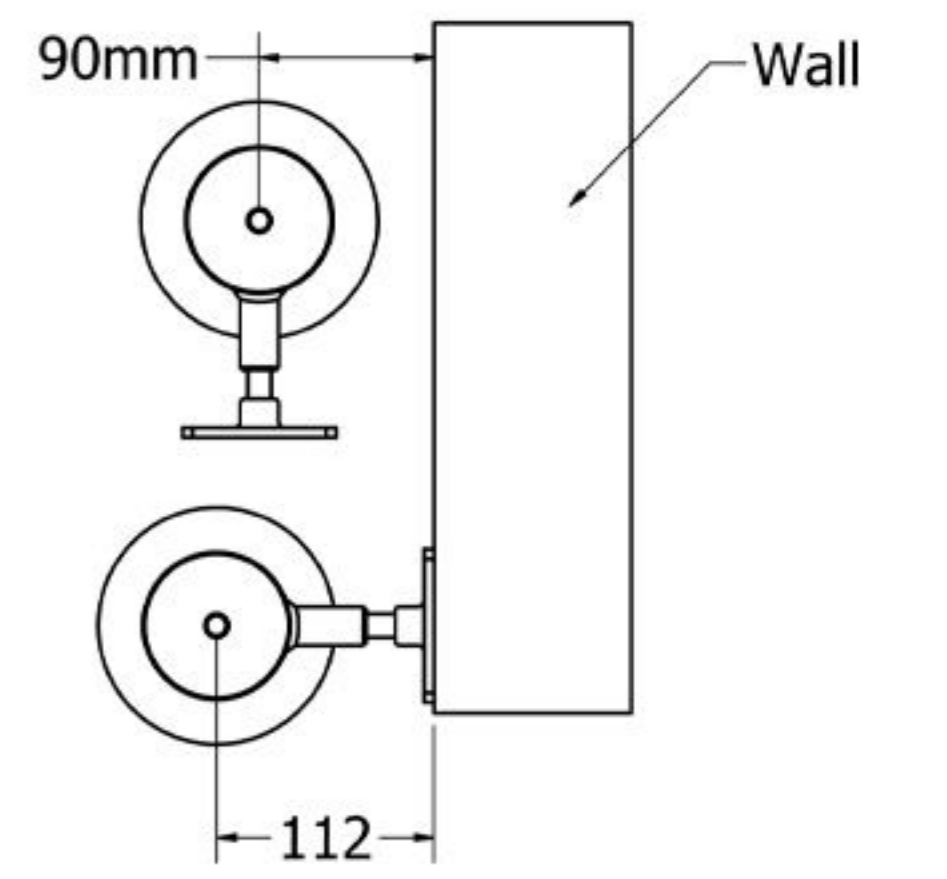
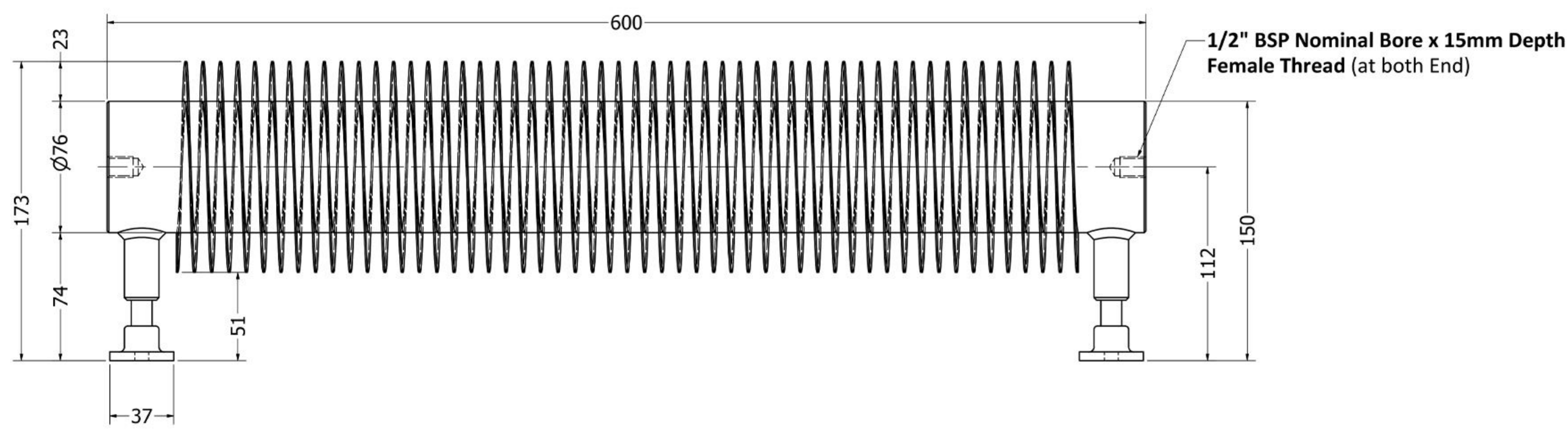
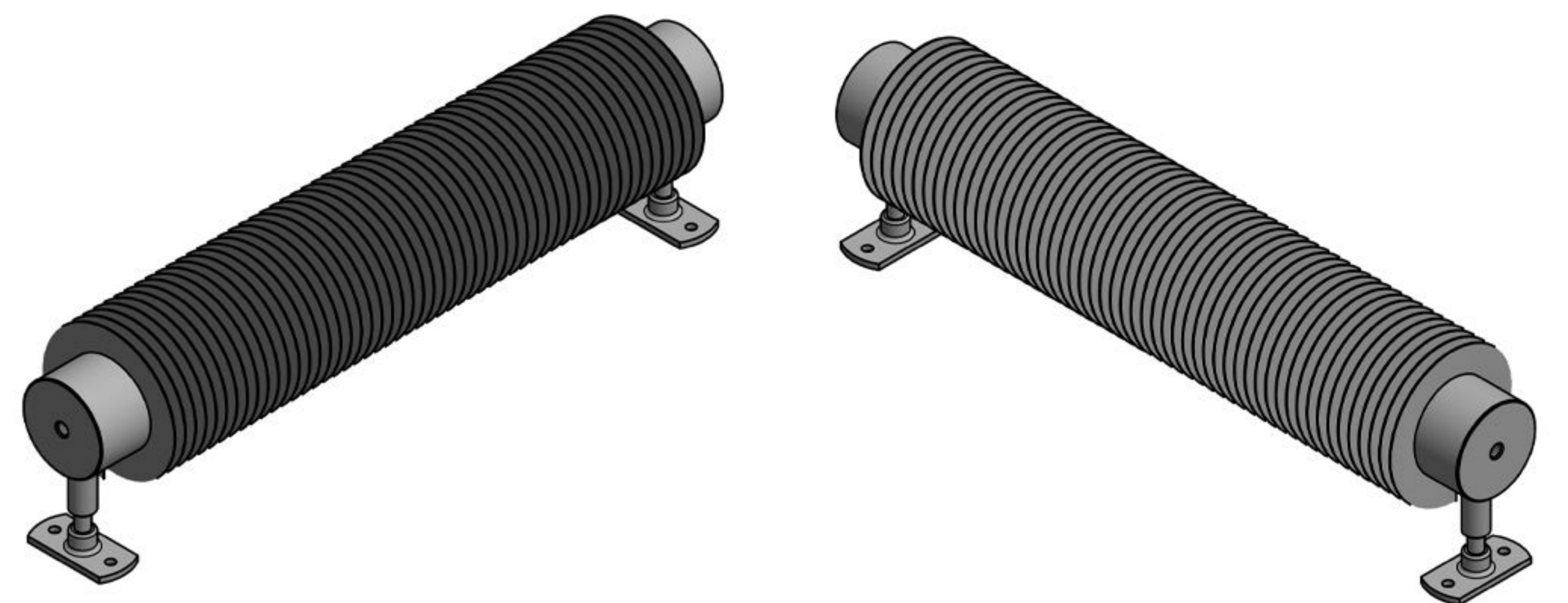
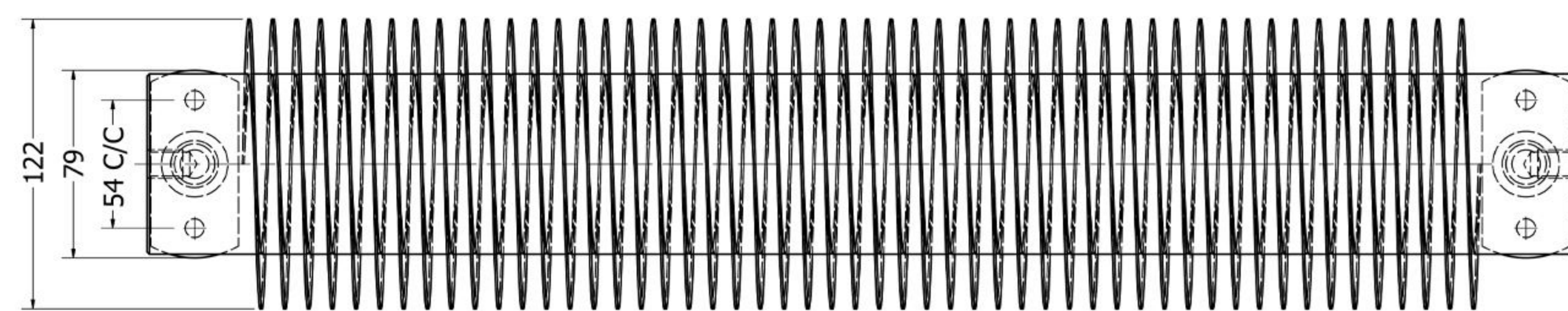


Wall to Pole Centers

Material		Data	
Sr. No.	Parts List	Dimension	Material
01	Steam Tube Gauge (mm)	3.65	Blue Steel EN10255
02	Steel Tube OD (mm)	76	Blue Steel EN10255
03	Steel Strips Gauge (mm)	0.9	Blue Steel EN10255
04	Steel Strip Width (mm)	23.8	Blue Steel EN10255

Technical Specification
Delta 50C - watts:- 400
Delta 50C - BTU/hr:- 1256

DRAWN	SD	7/12/2023	Prestige Radiators Limited	
CHECKED	QA		TITLE	
MFG	APPROVED		LARGER FINN RADIATOR - 500mm lg	
	SIZE	D	REV	A
	SCALE	1 / 1.5	SHEET 1 OF 1	

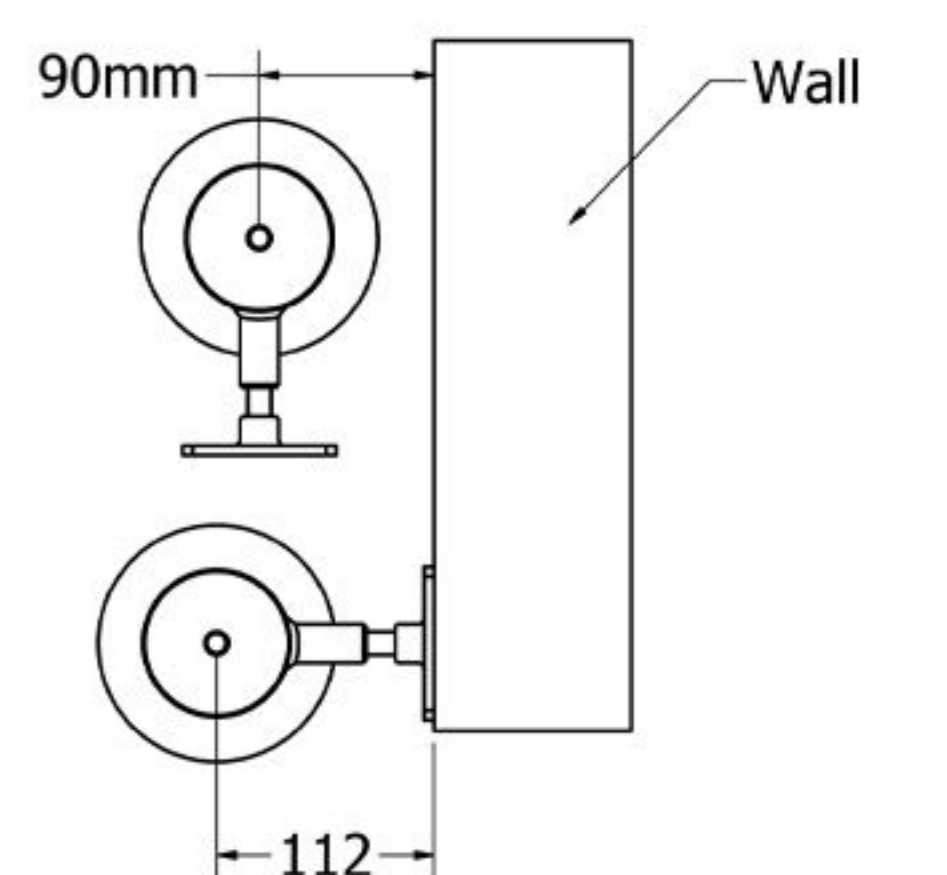
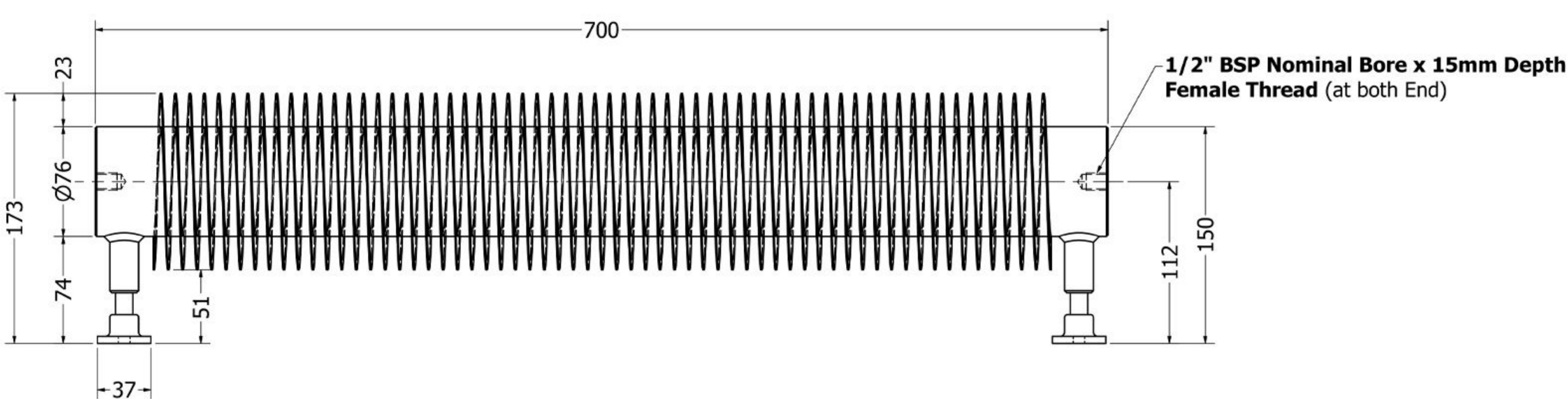
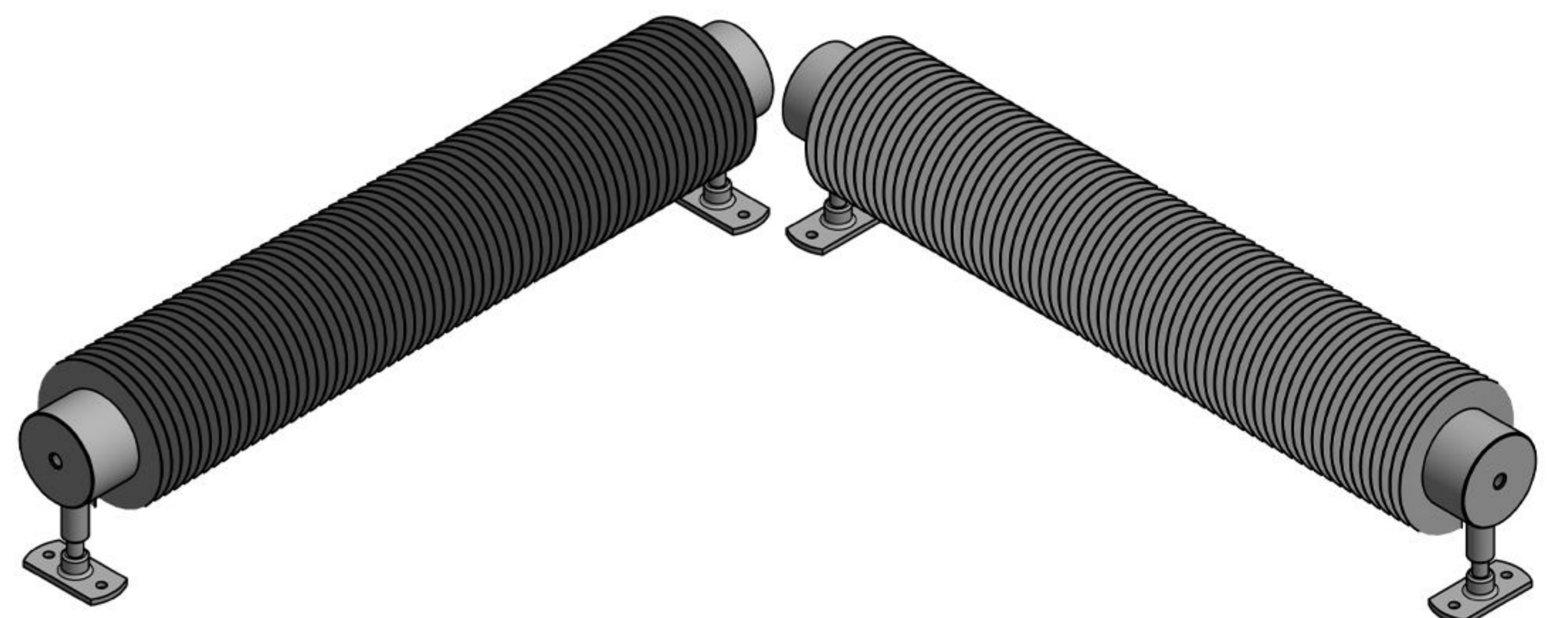
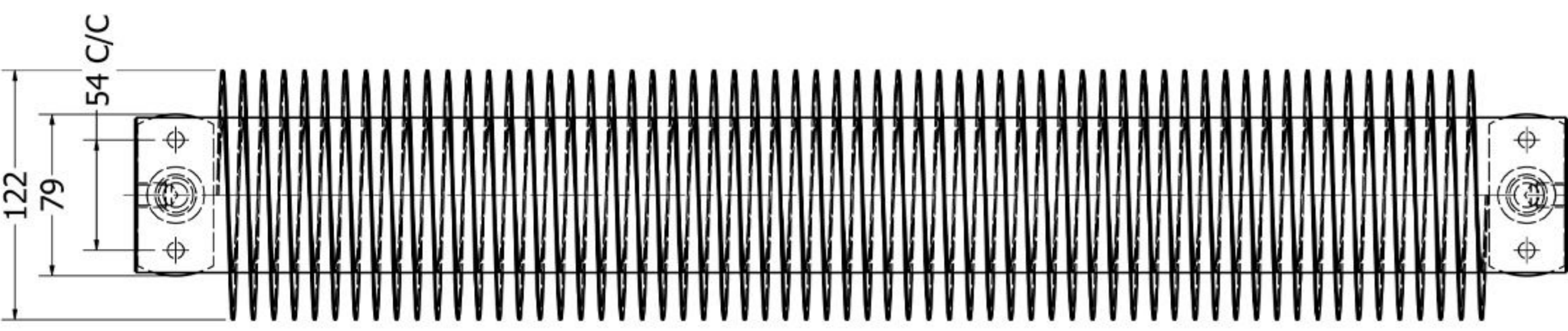


Wall to Pole Centers

Material		Data	
Sr. No.	Parts List	Dimension	Material
01	Steam Tube Gauge (mm)	3.65	Blue Steel EN10255
02	Steel Tube OD (mm)	76	Blue Steel EN10255
03	Steel Strips Gauge (mm)	0.9	Blue Steel EN10255
04	Steel Strip Width (mm)	23.8	Blue Steel EN10255

Technical Specification
Delta 50C - watts:- 480
Delta 50C - BTU/hr:- 1507

DRAWN	SD	7/12/2023	Prestige Radiators Limited	
CHECKED	QA		TITLE	
MFG	APPROVED		LARGER FINN RADIATOR - 600mm lg	
	SIZE	D	REV	A
	SCALE	1 / 1.5	SHEET 1 OF 1	

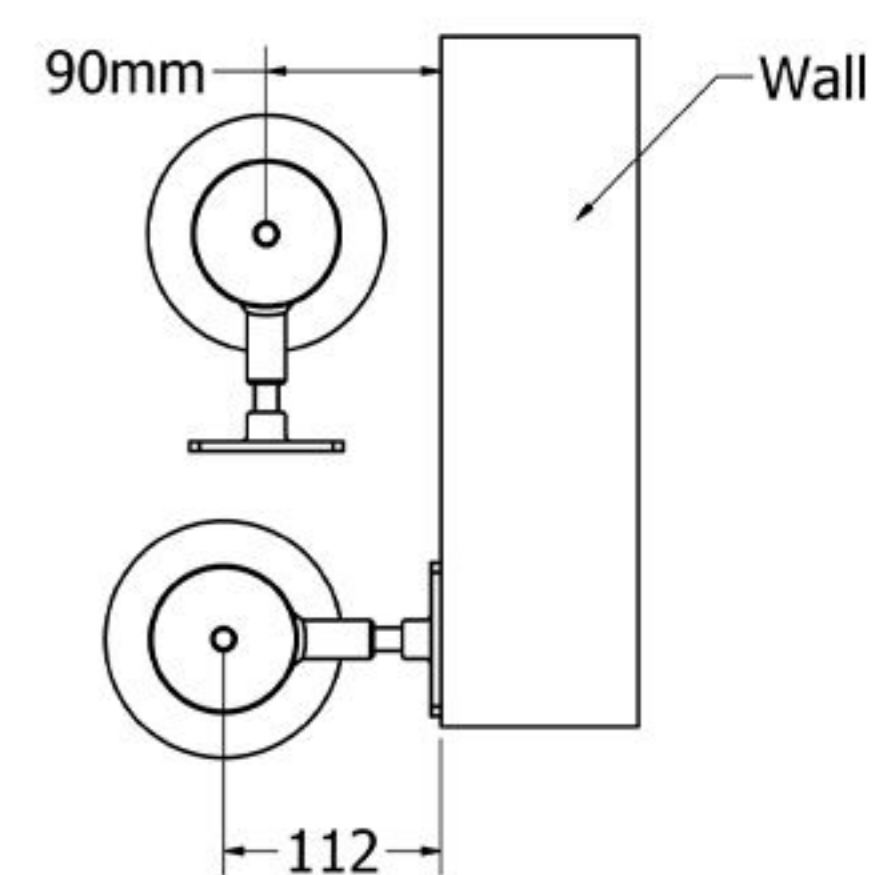
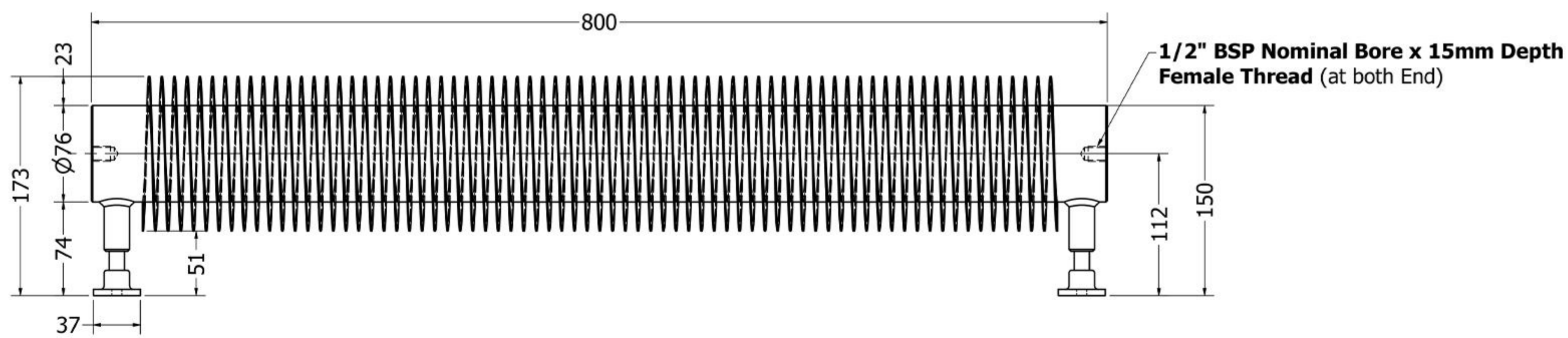
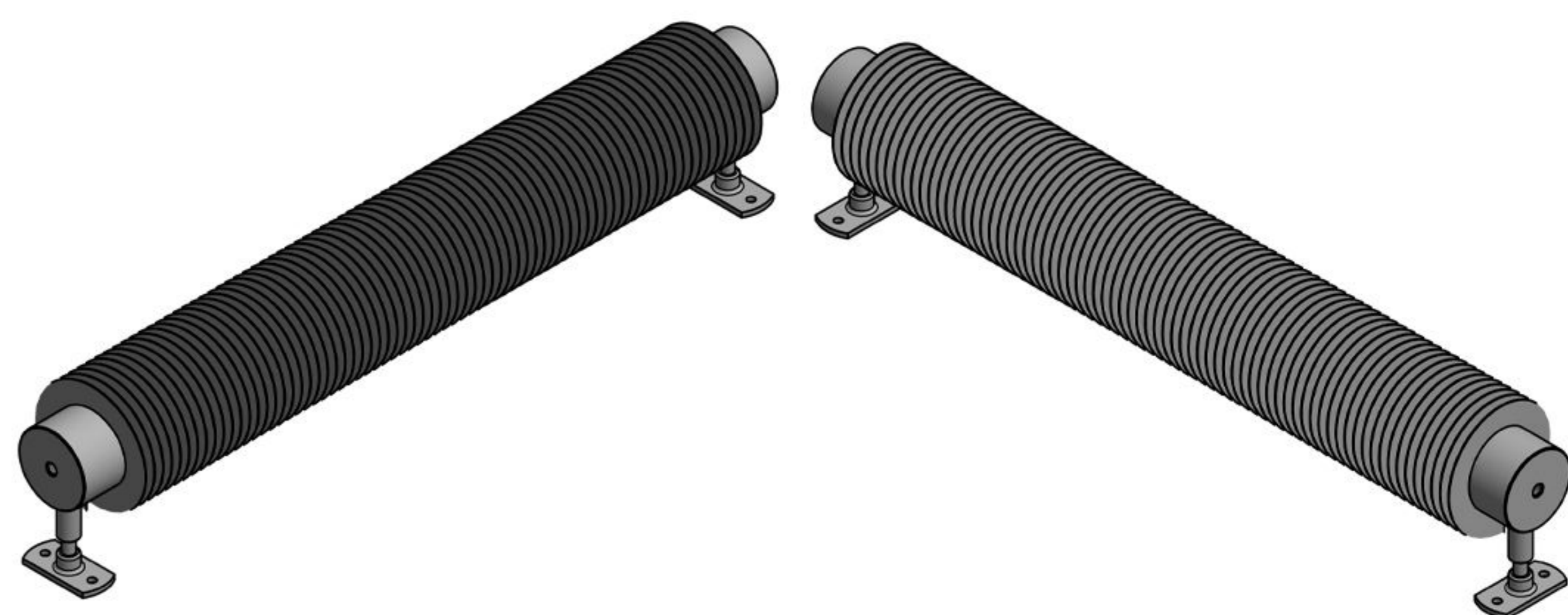
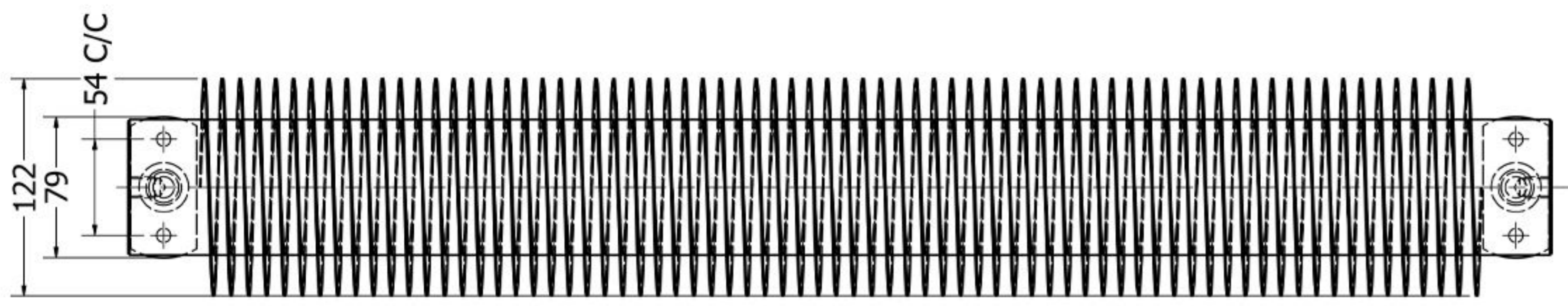


Wall to Pole Centers

Material		Data	
Sr. No.	Parts List	Dimension	Material
01	Steam Tube Gauge (mm)	3.65	Blue Steel EN10255
02	Steel Tube OD (mm)	76	Blue Steel EN10255
03	Steel Strips Gauge (mm)	0.9	Blue Steel EN10255
04	Steel Strip Width (mm)	23.8	Blue Steel EN10255

Technical Specification
Delta 50C - watts:- 560
Delta 50C - BTU/hr:- 1758

DRAWN	SD	7/12/2023	Prestige Radiators Limited	
CHECKED	QA		TITLE	
MFG	APPROVED		LARGER FINN RADIATOR - 700mm lg	
	SIZE	D	REV	A
	SCALE	1 / 2	SHEET 1 OF 1	



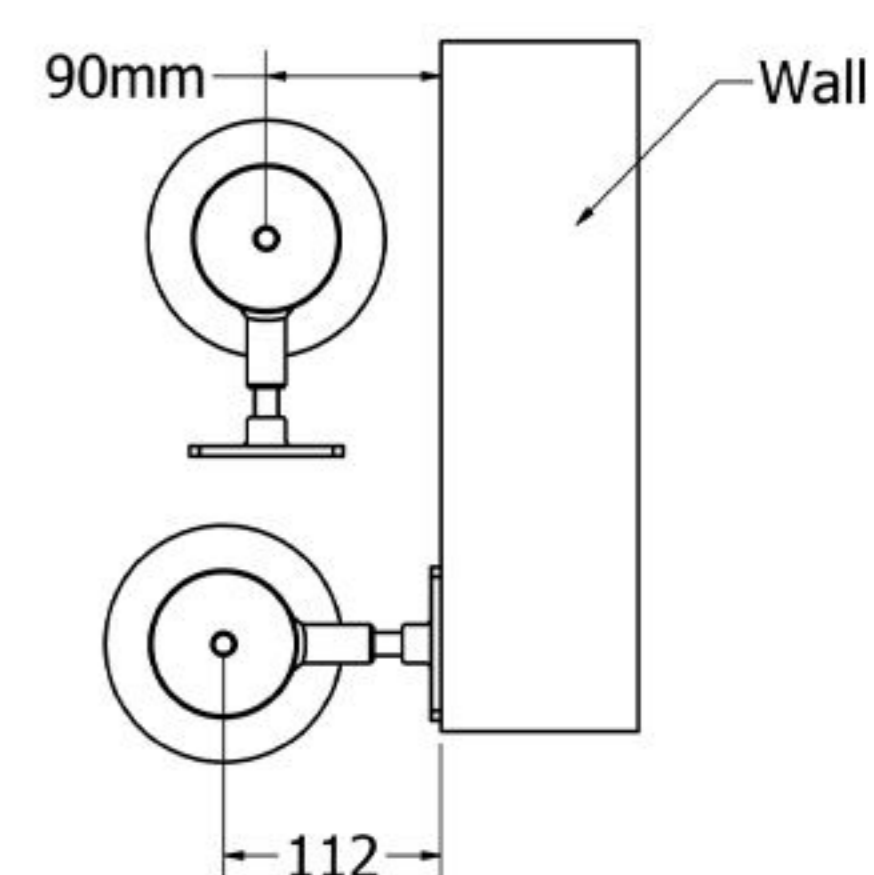
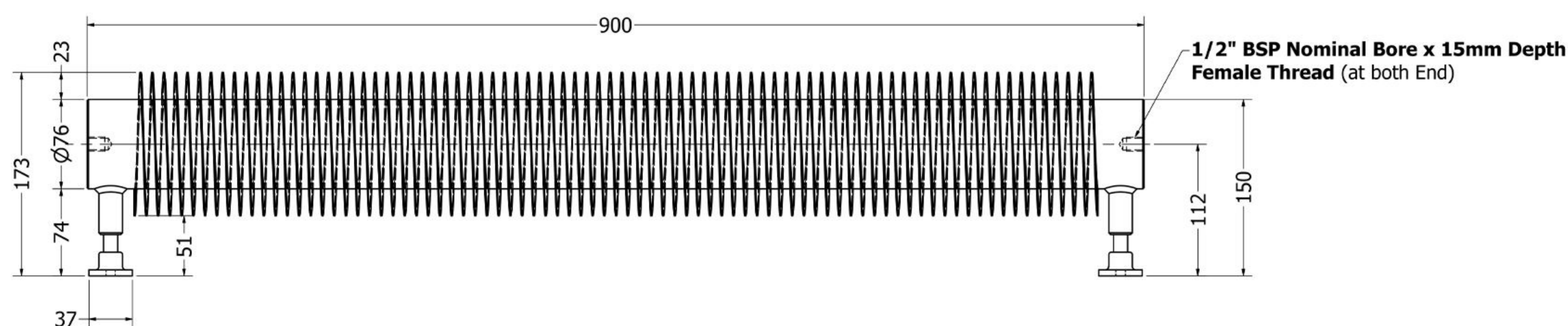
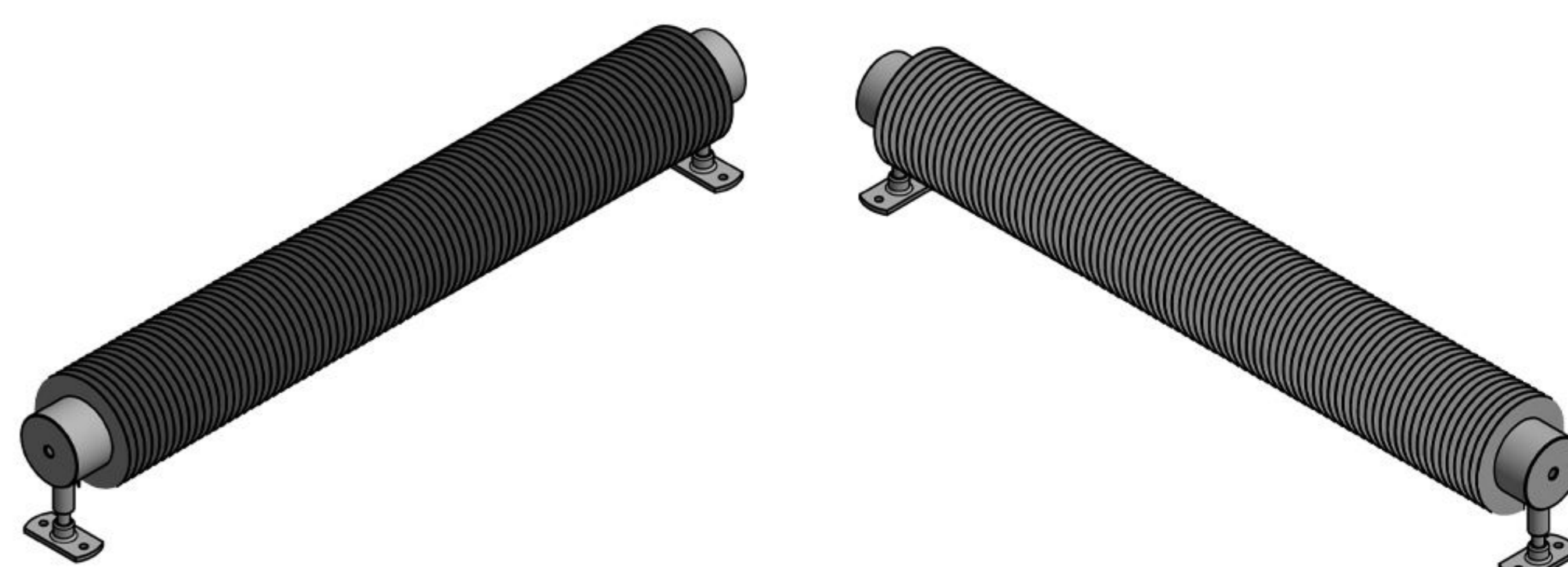
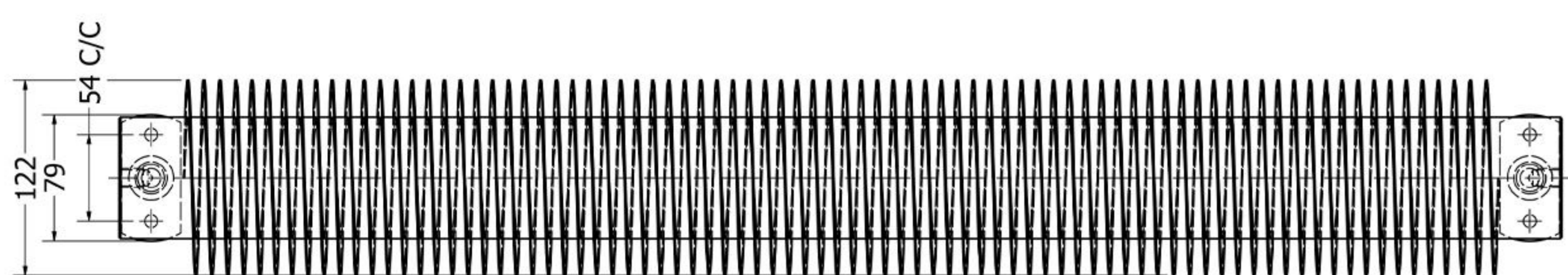
Wall to Pole Centers

Material		Data	
Sr. No.	Parts List	Dimension	Material
01	Steam Tube Gauge (mm)	3.65	Blue Steel EN10255
02	Steel Tube OD (mm)	ø76	Blue Steel EN10255
03	Steel Strips Gauge (mm)	0.9	Blue Steel EN10255
04	Steel Strip Width (mm)	23.8	Blue Steel EN10255

Technical Specification
Delta 50C - watts:- 640
Delta 50C - BTU/hr:- 2009

DRAWN	SD	7/12/2023	Prestige Radiators Limited	
CHECKED	QA		TITLE	
MFG	APPROVED		LARGER FINN RADIATOR - 800mm lg	
			SIZE	REV
			D	A
			SCALE 1 / 2.3	SHEET 1 OF 1

8	7	6	5	4	3	2	1
8	7	6	5	4	3	2	1



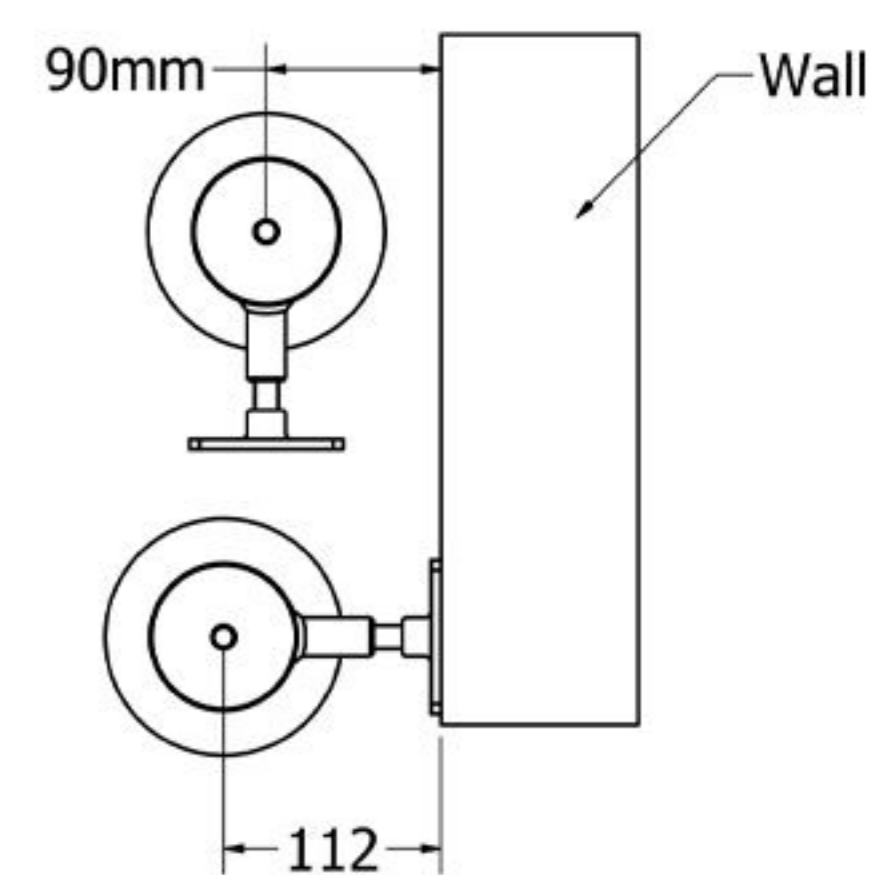
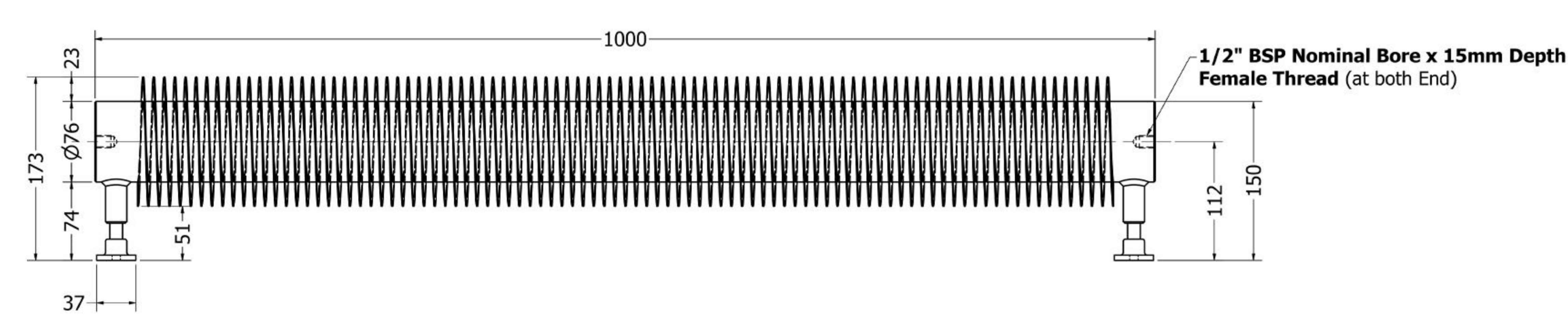
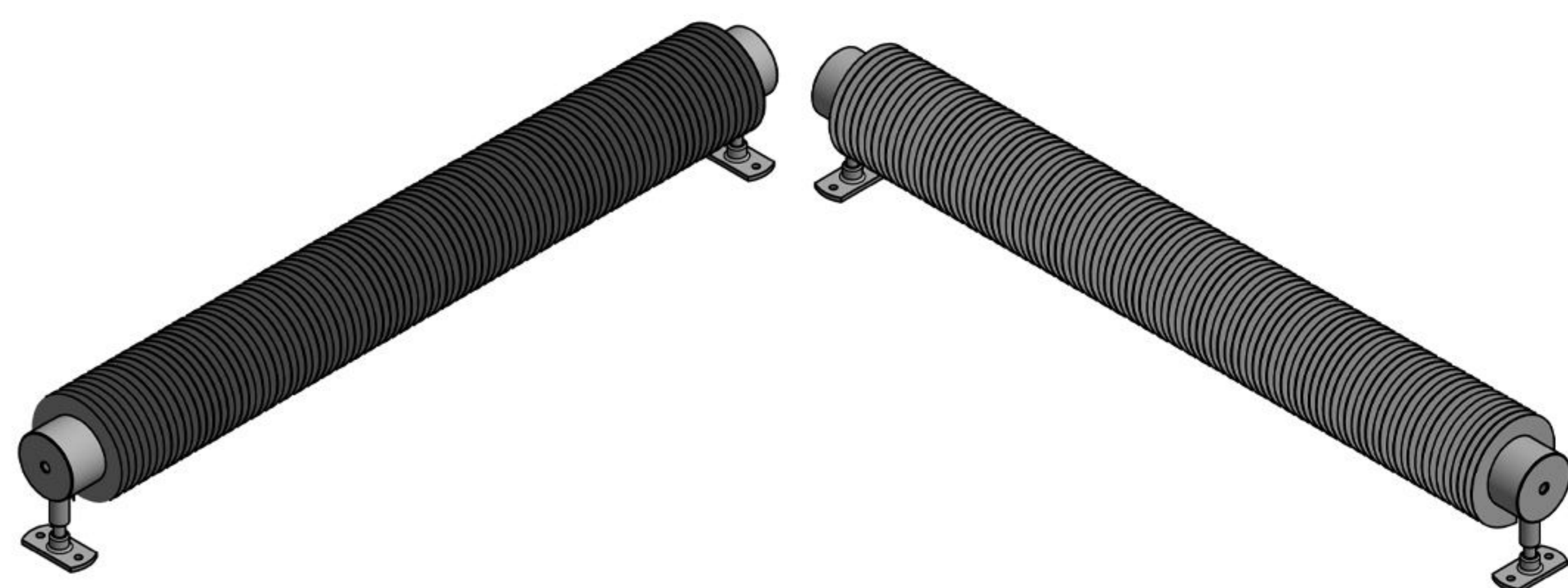
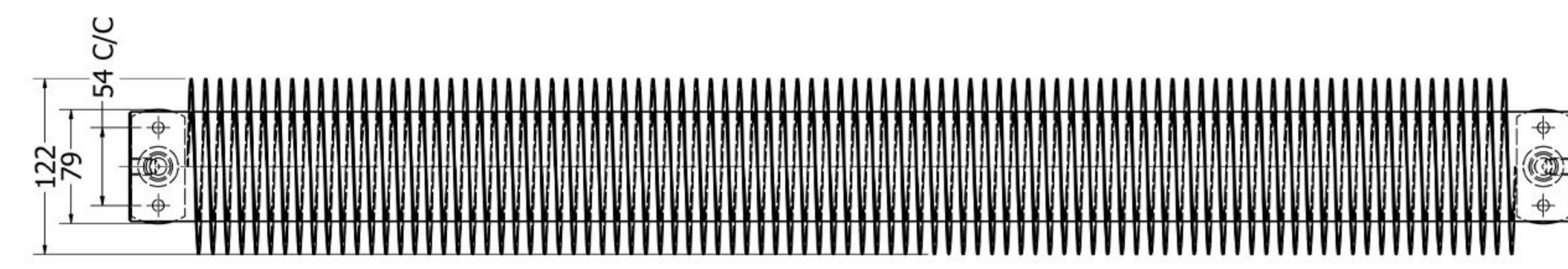
Wall to Pole Centers

Material		Data	
Sr. No.	Parts List	Dimension	Material
01	Steam Tube Gauge (mm)	3.65	Blue Steel EN10255
02	Steel Tube OD (mm)	ø76	Blue Steel EN10255
03	Steel Strips Gauge (mm)	0.9	Blue Steel EN10255
04	Steel Strip Width (mm)	23.8	Blue Steel EN10255

Technical Specification
Delta 50C - watts:- 720
Delta 50C - BTU/hr:- 2260

DRAWN	SD	7/12/2023	Prestige Radiators Limited	
CHECKED	QA		TITLE	
MFG	APPROVED		LARGER FINN RADIATOR - 900mm lg	
			SIZE	REV
			D	A
			SCALE 1 / 2.3	SHEET 1 OF 1

8	7	6	5	4	3	2	1
8	7	6	5	4	3	2	1



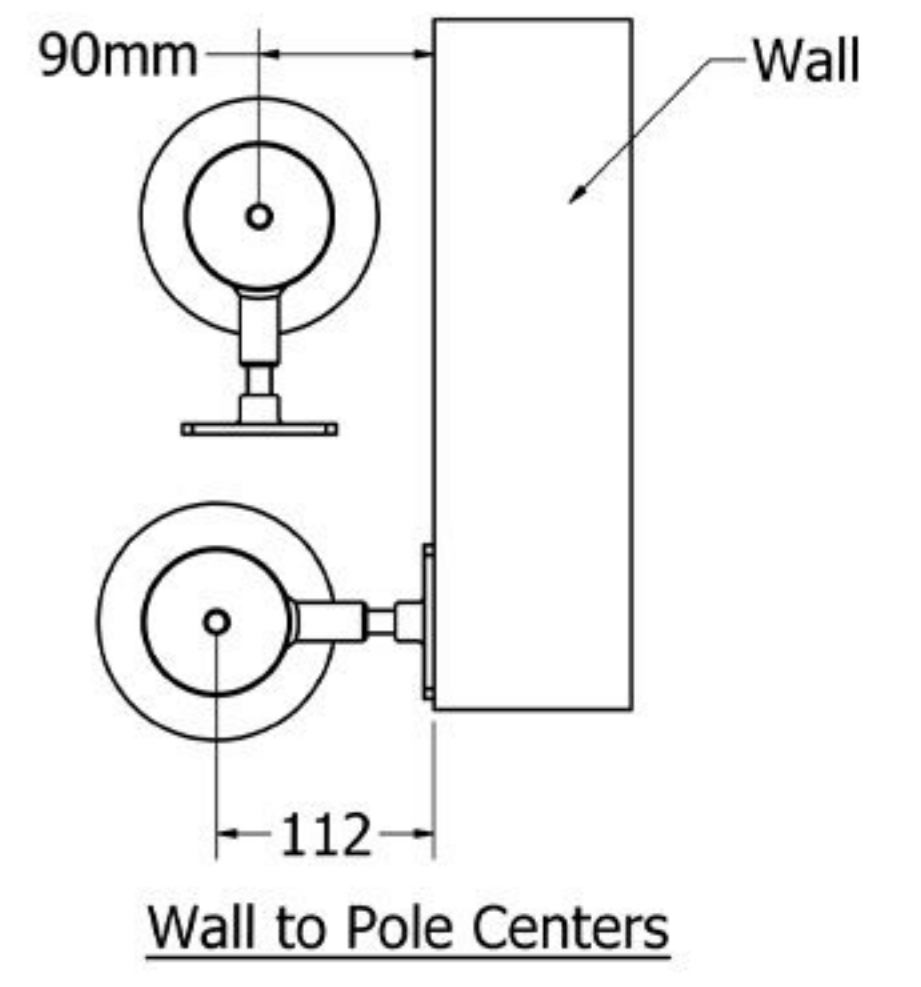
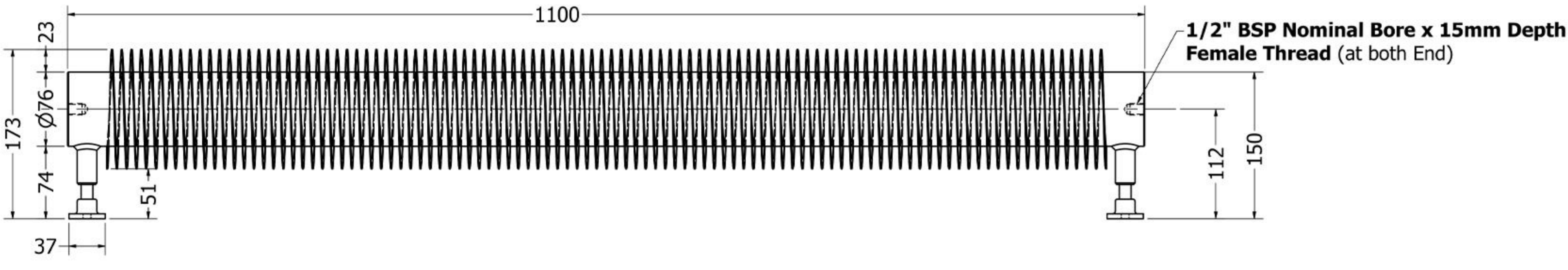
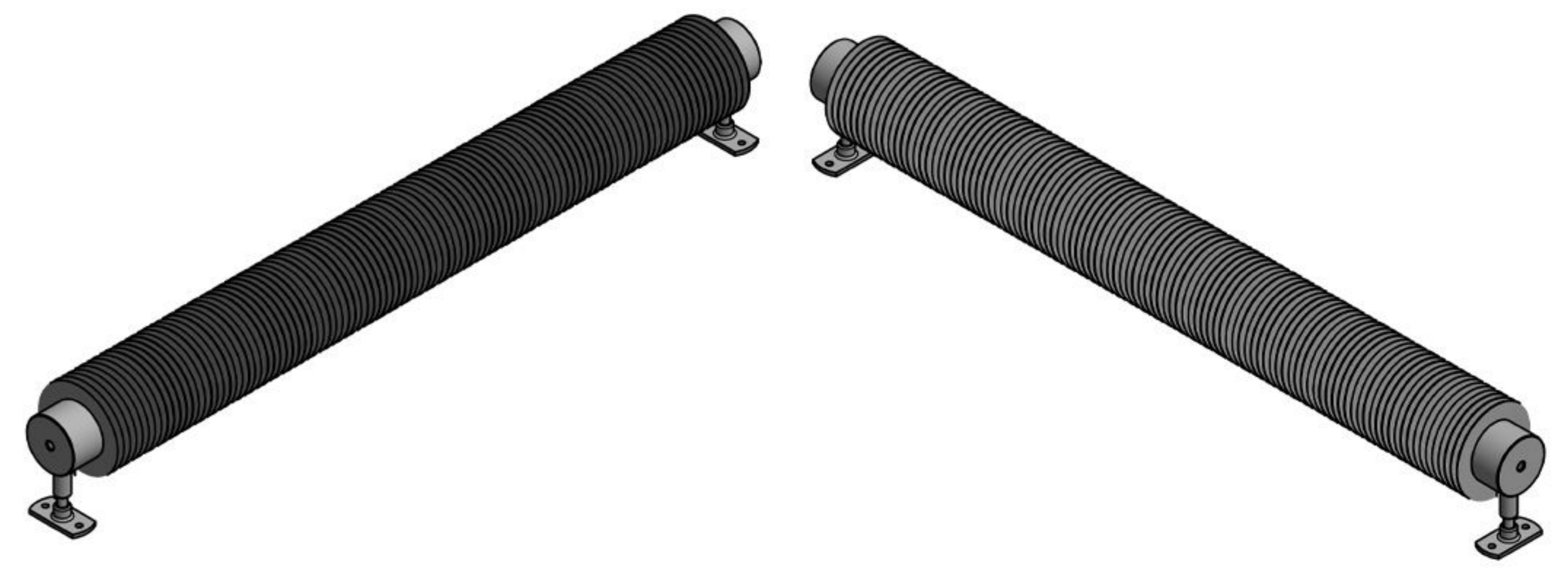
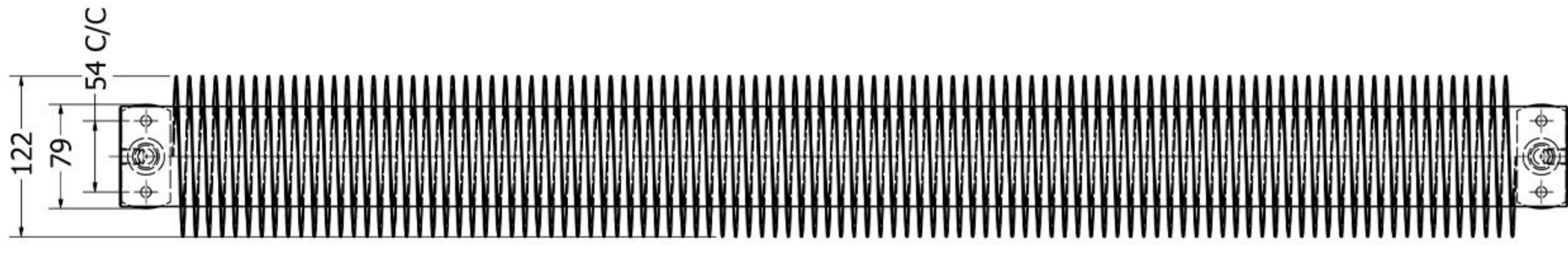
Wall to Pole Centers

Material		Data	
Sr. No.	Parts List	Dimension	Material
01	Steam Tube Gauge (mm)	3.65	Blue Steel EN10255
02	Steel Tube OD (mm)	ø76	Blue Steel EN10255
03	Steel Strips Gauge (mm)	0.9	Blue Steel EN10255
04	Steel Strip Width (mm)	23.8	Blue Steel EN10255

Technical Specification
Delta 50C - watts:- 800
Delta 50C - BTU/hr:- 2512

DRAWN	SD	7/12/2023	Prestige Radiators Limited	
CHECKED	QA		TITLE	
MFG	APPROVED		LARGER FINN RADIATOR - 1000mm lg	
			SIZE	REV
			D	A
			SCALE 1 / 2.5	SHEET 1 OF 1

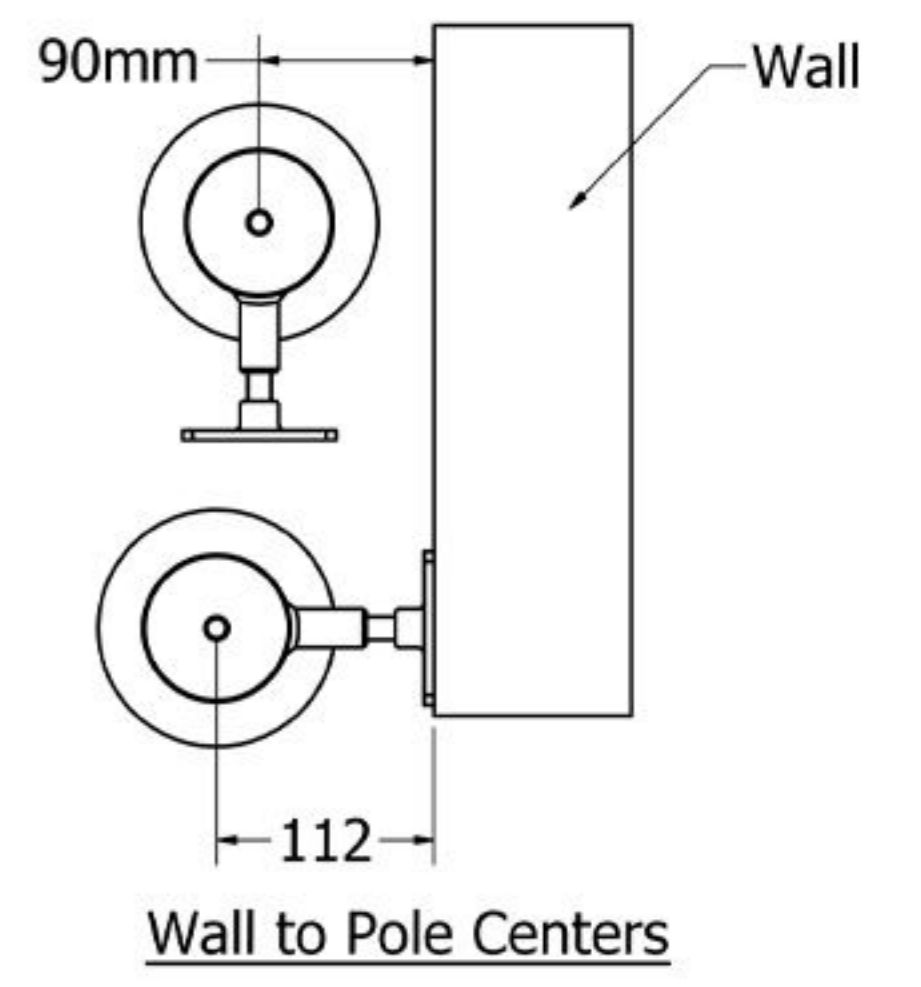
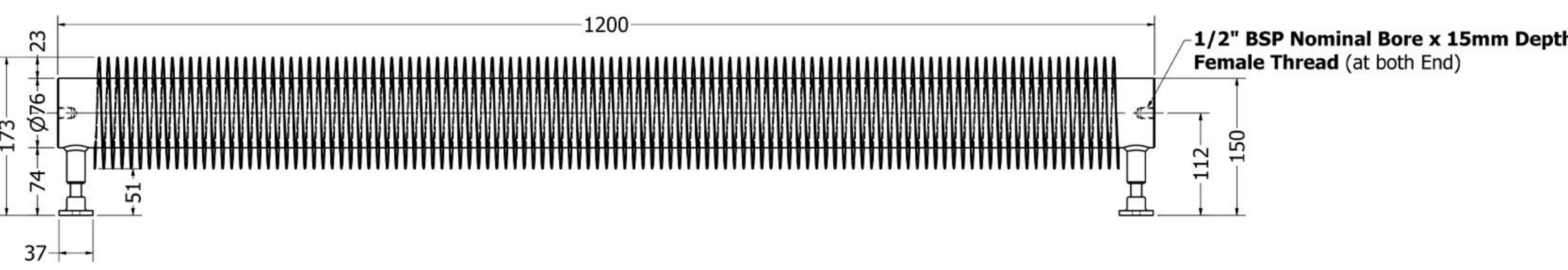
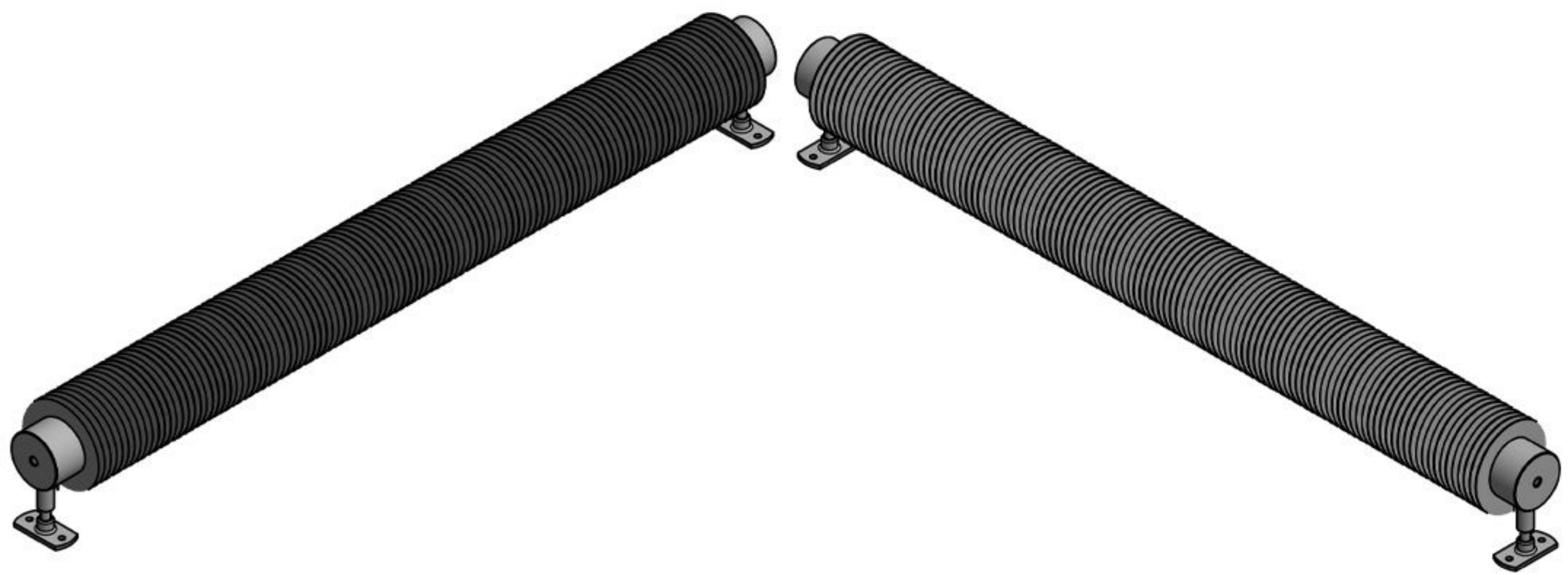
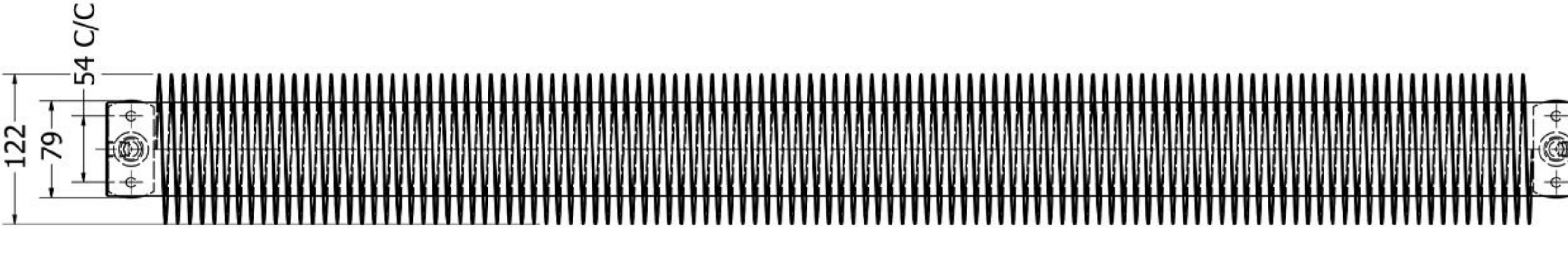
8	7	6	5	4	3	2	1
8	7	6	5	4	3	2	1



Material		Data	
Sr. No.	Parts List	Dimension	Material
01	Steam Tube Gauge (mm)	3.65	Blue Steel EN10255
02	Steel Tube OD (mm)	76	Blue Steel EN10255
03	Steel Strips Gauge (mm)	0.9	Blue Steel EN10255
04	Steel Strip Width (mm)	23.8	Blue Steel EN10255

Technical Specification
Delta 50C - watts:- 880
Delta 50C - BTU/hr:- 2763

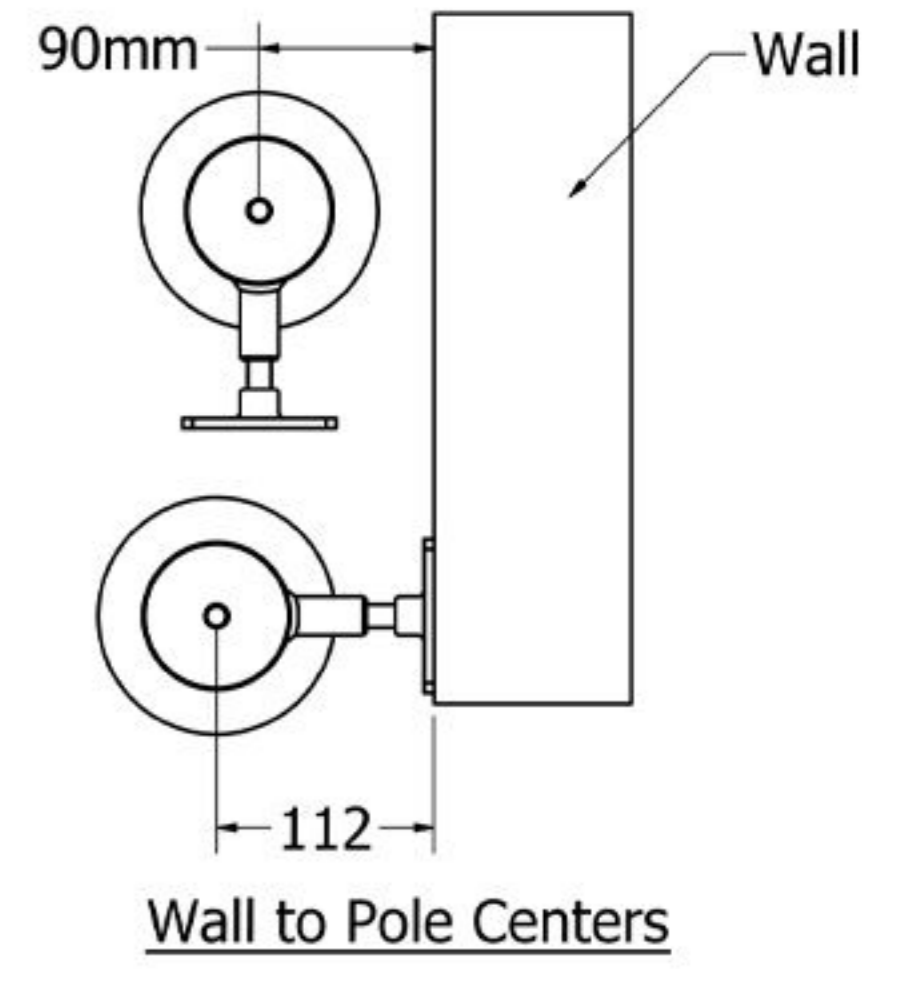
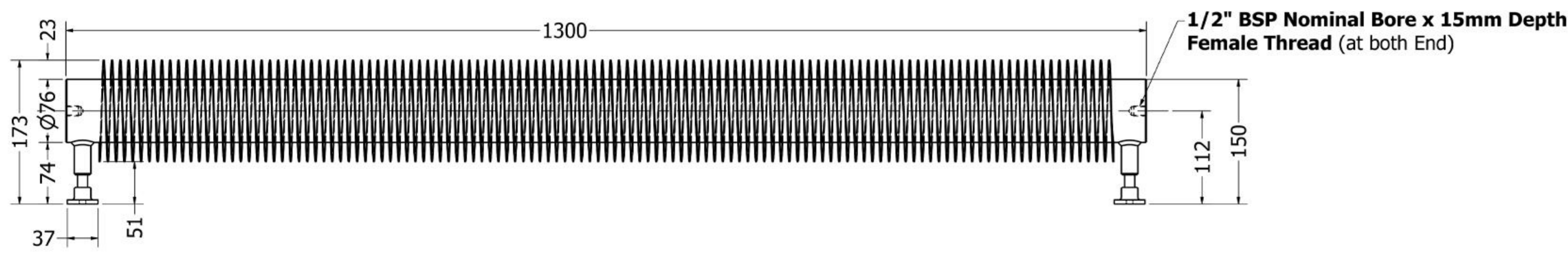
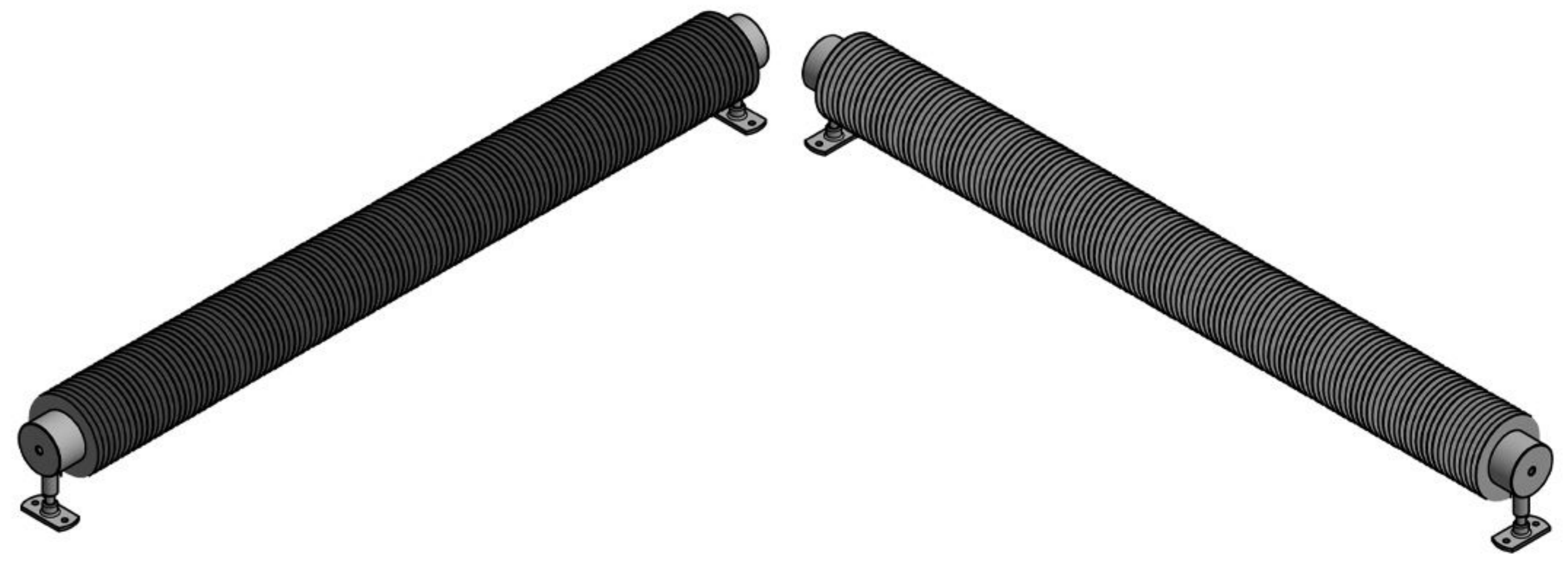
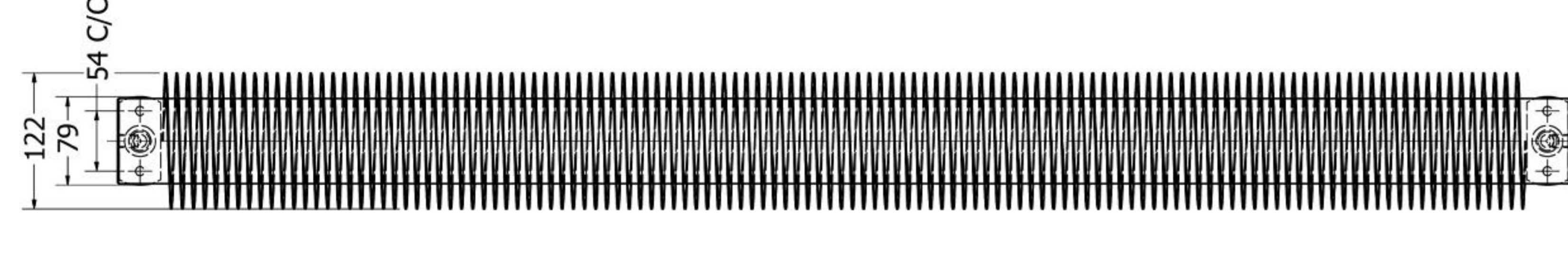
DRAWN	7/12/2023	Prestige Radiators Limited	
CHECKED		TITLE	
QA		LARGER FINN RADIATOR - 1100mm lg	
MFG		SIZE	REV
APPROVED		D	A
		SCALE 1 / 2.8	SHEET 1 OF 1



Material		Data	
Sr. No.	Parts List	Dimension	Material
01	Steam Tube Gauge (mm)	3.65	Blue Steel EN10255
02	Steel Tube OD (mm)	76	Blue Steel EN10255
03	Steel Strips Gauge (mm)	0.9	Blue Steel EN10255
04	Steel Strip Width (mm)	23.8	Blue Steel EN10255

Technical Specification
Delta 50C - watts:- 960
Delta 50C - BTU/hr:- 3014

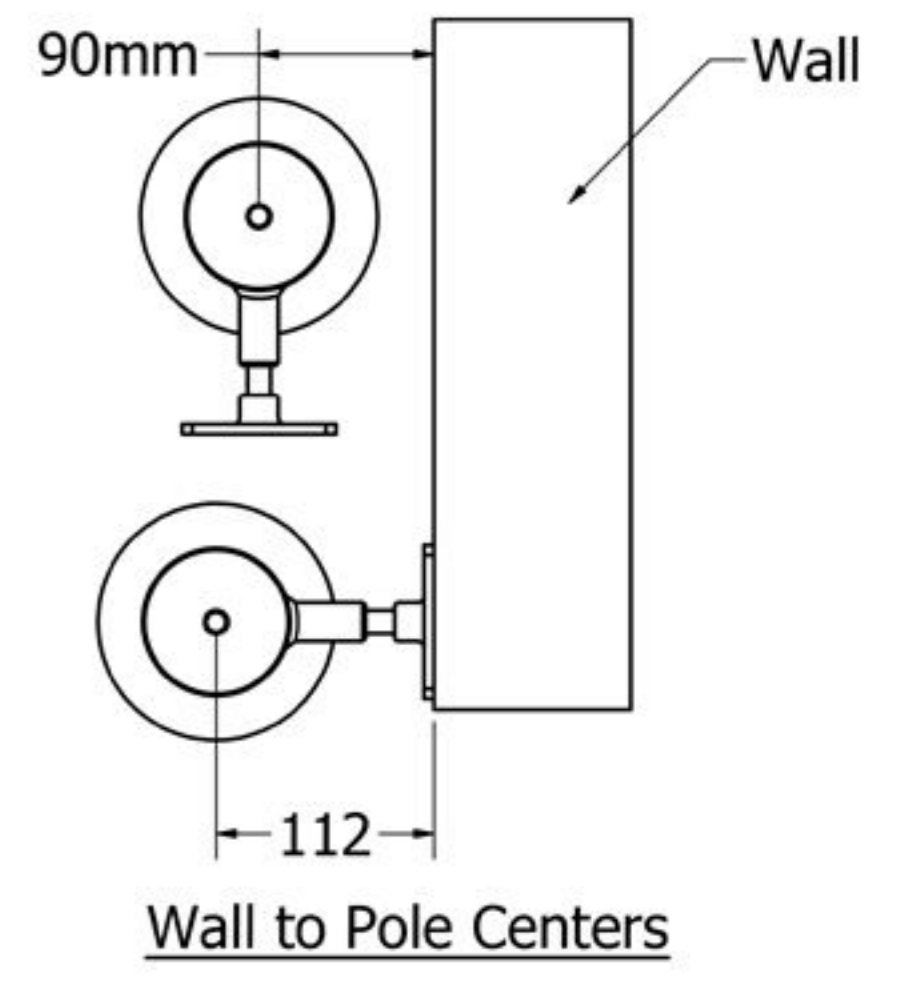
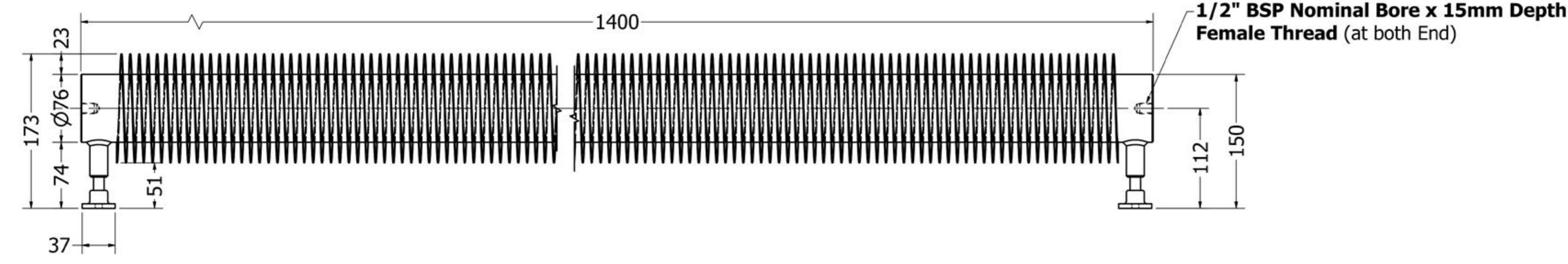
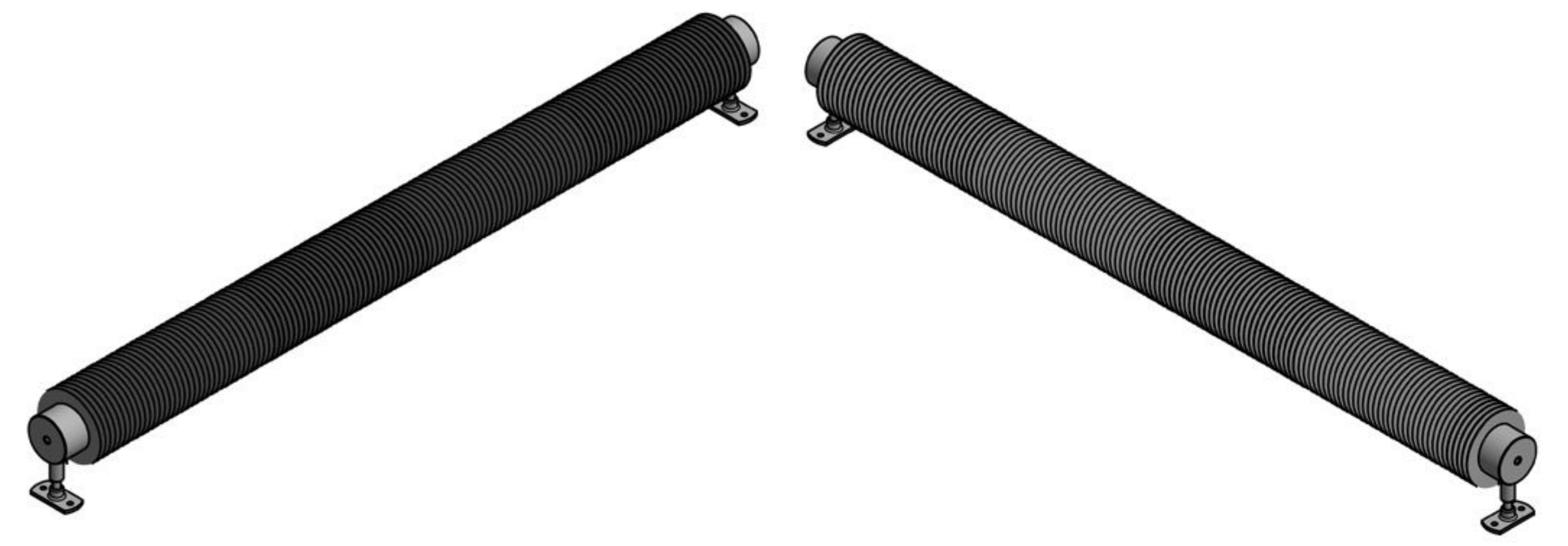
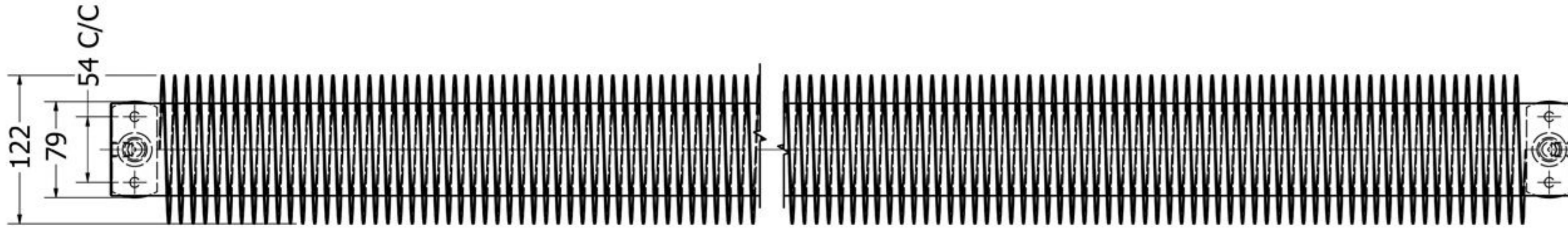
DRAWN	7/12/2023	Prestige Radiators Limited	
CHECKED		TITLE	
QA		LARGER FINN RADIATOR - 1200mm lg	
MFG		SIZE	REV
APPROVED		D	A
		SCALE 1 / 3	SHEET 1 OF 1



Material		Data	
Sr. No.	Parts List	Dimension	Material
01	Steam Tube Gauge (mm)	3.65	Blue Steel EN10255
02	Steel Tube OD (mm)	76	Blue Steel EN10255
03	Steel Strips Gauge (mm)	0.9	Blue Steel EN10255
04	Steel Strip Width (mm)	23.8	Blue Steel EN10255

Technical Specification
Delta 50C - watts:- 1040
Delta 50C - BTU/hr:- 3265

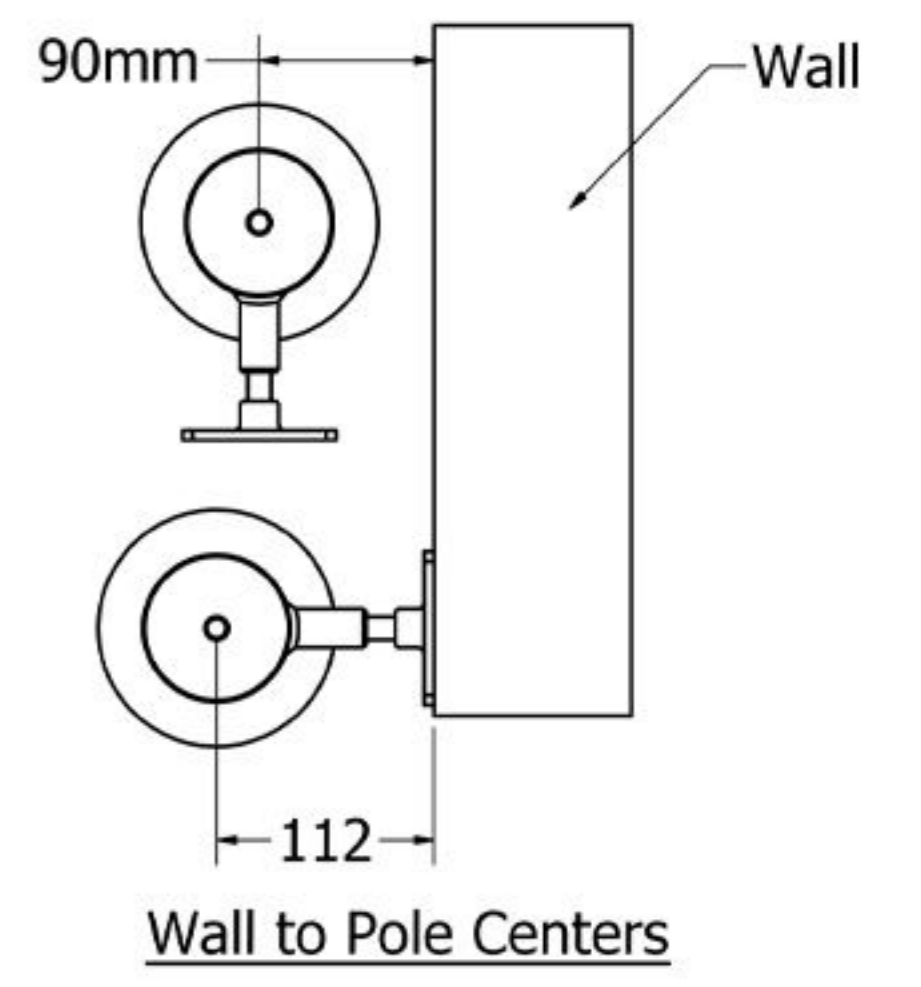
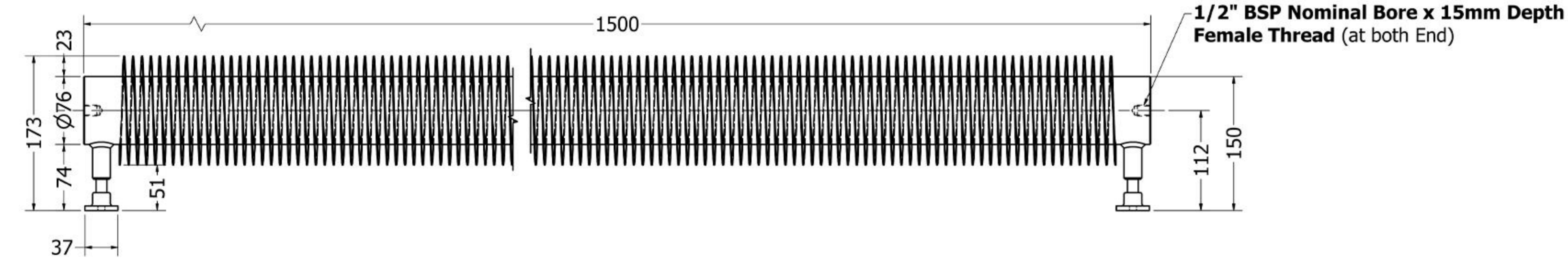
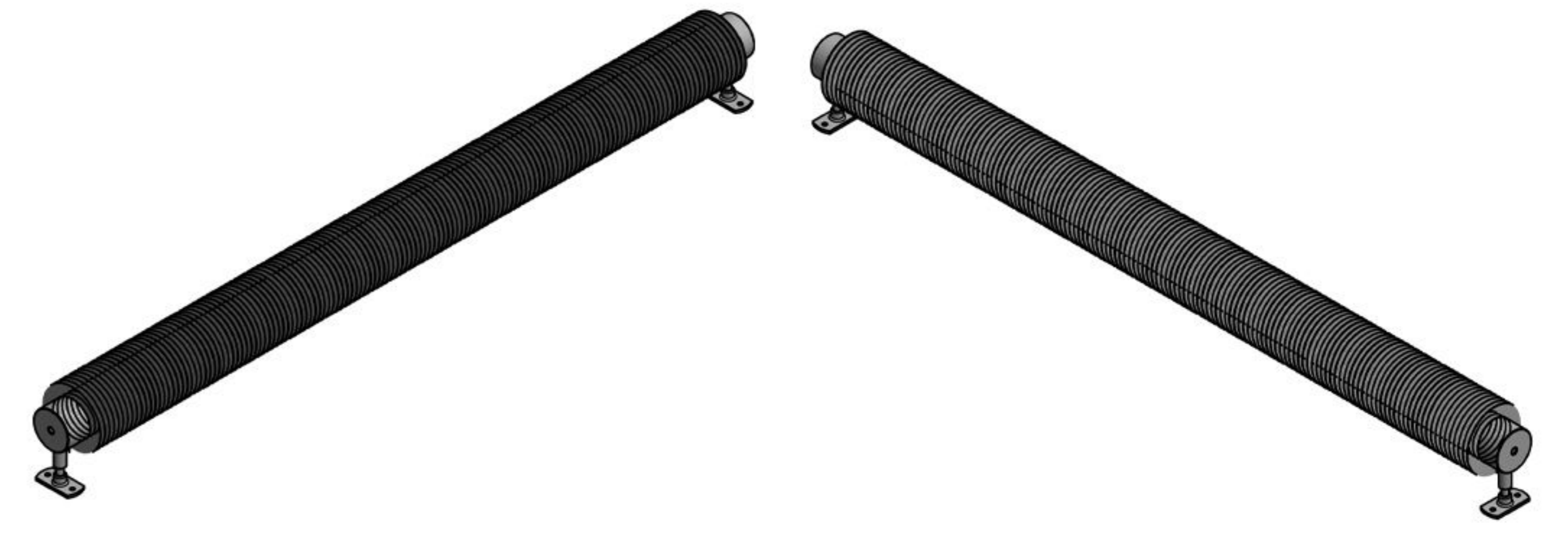
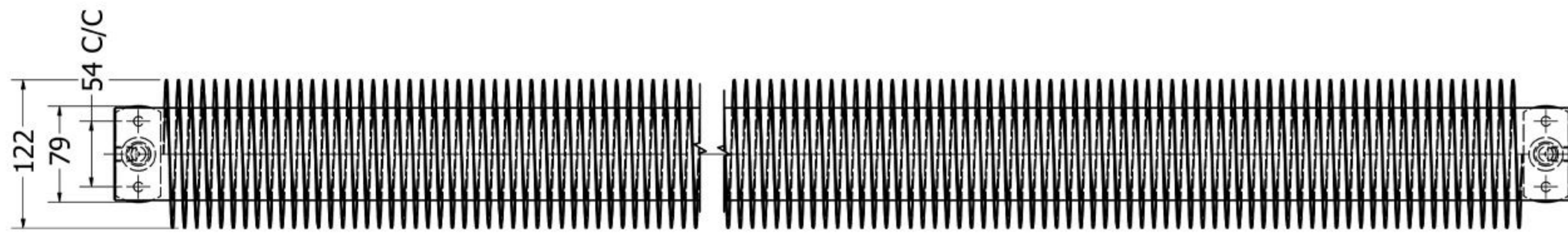
DRAWN	7/12/2023	Prestige Radiators Limited	
CHECKED		TITLE	
QA		LARGER FINN RADIATOR - 1300mm lg	
MFG		SIZE	REV
APPROVED		D	A
		SCALE 1 / 3.3	SHEET 1 OF 1



Material		Data	
Sr. No.	Parts List	Dimension	Material
01	Steam Tube Gauge (mm)	3.65	Blue Steel EN10255
02	Steel Tube OD (mm)	ø76	Blue Steel EN10255
03	Steel Strips Gauge (mm)	0.9	Blue Steel EN10255
04	Steel Strip Width (mm)	23.8	Blue Steel EN10255

Technical Specification
Delta 50C - watts:- 1120
Delta 50C - BTU/hr:- 3516

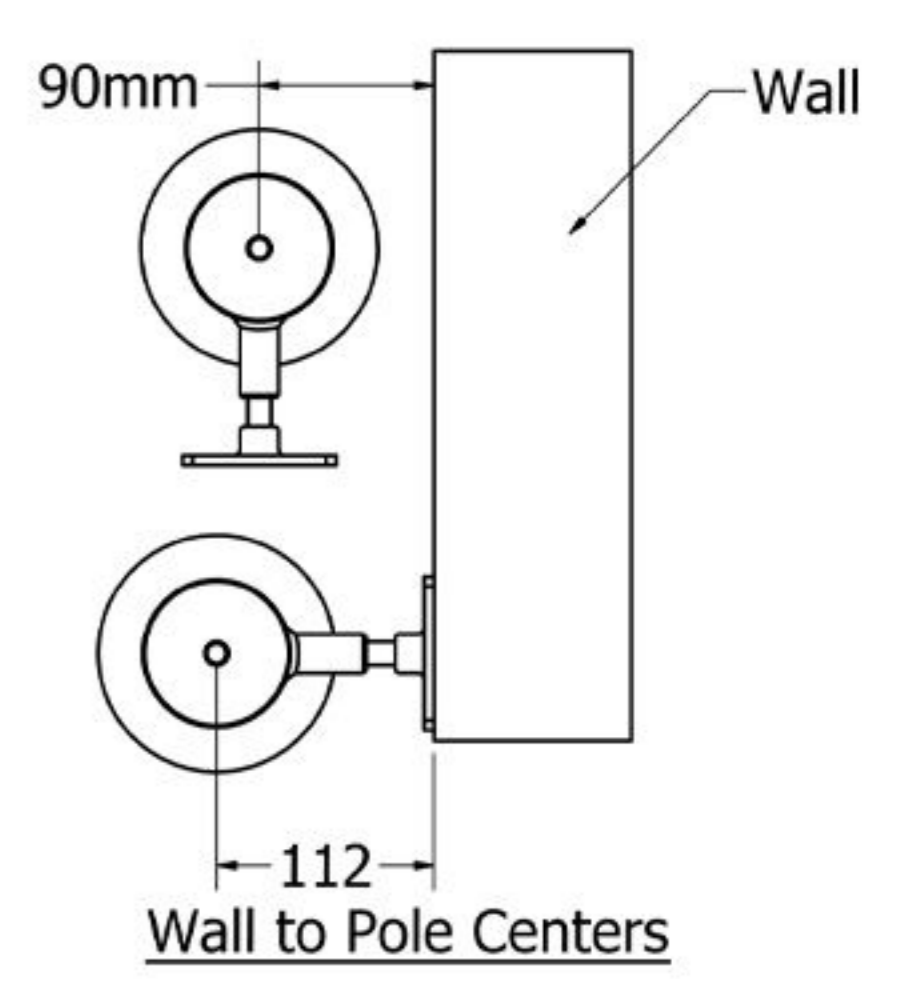
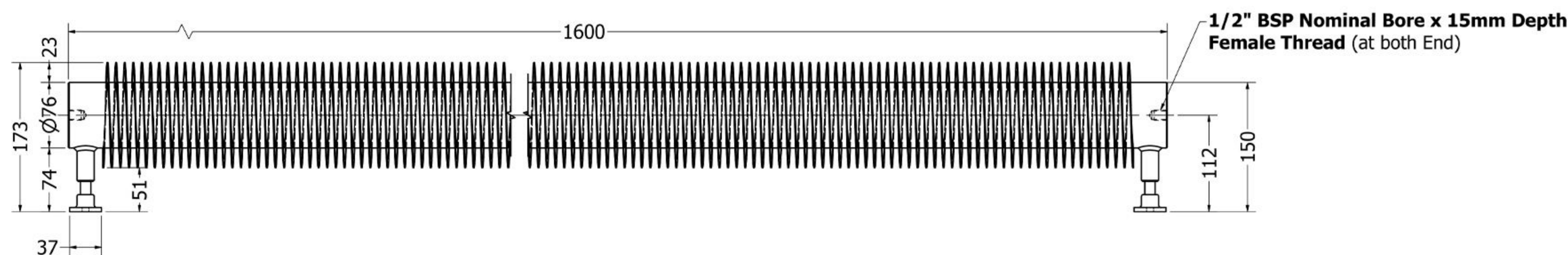
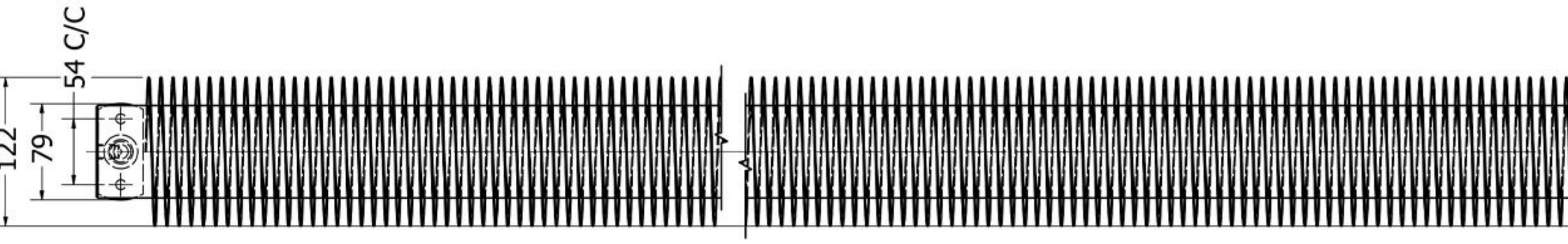
DRAWN	7/12/2023	Prestige Radiators Limited	
CHECKED		TITLE	
QA		LARGER FINN RADIATOR - 1400mm lg	
MFG		SIZE	REV
APPROVED		D	A
		SCALE	1 / 3 SHEET 1 OF 1



Material		Data	
Sr. No.	Parts List	Dimension	Material
01	Steam Tube Gauge (mm)	3.65	Blue Steel EN10255
02	Steel Tube OD (mm)	ø76	Blue Steel EN10255
03	Steel Strips Gauge (mm)	0.9	Blue Steel EN10255
04	Steel Strip Width (mm)	23.8	Blue Steel EN10255

Technical Specification
Delta 50C - watts:- 1200
Delta 50C - BTU/hr:- 3768

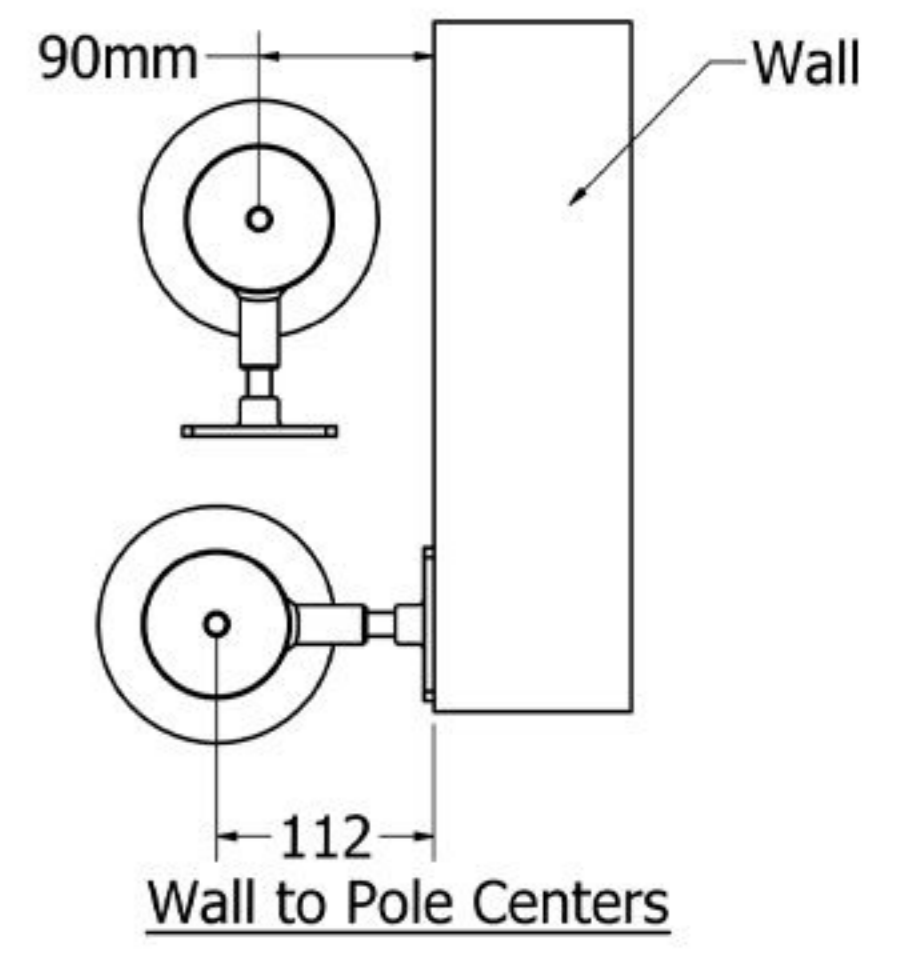
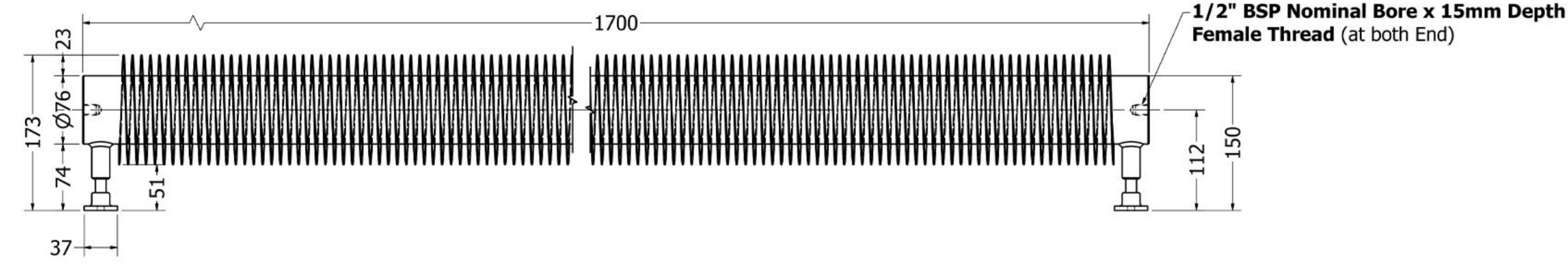
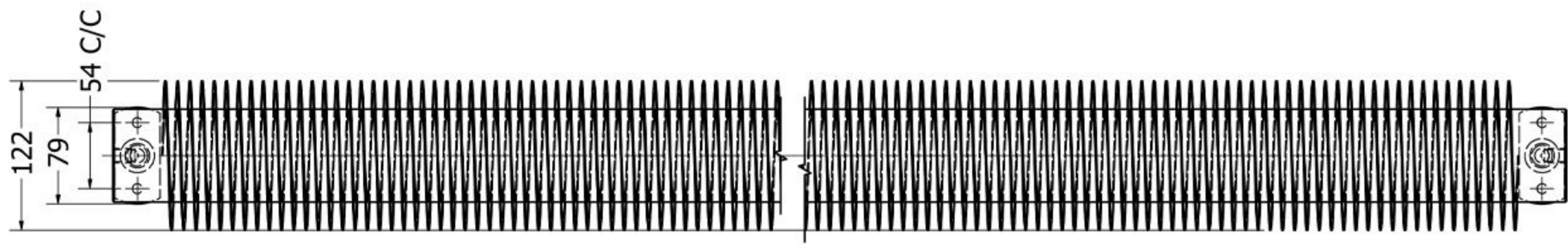
DRAWN	7/12/2023	Prestige Radiators Limited	
CHECKED		TITLE	
QA		LARGER FINN RADIATOR - 1500mm lg	
MFG		SIZE	REV
APPROVED		D	A
		SCALE	1 / 3 SHEET 1 OF 1



Material		Data	
Sr. No.	Parts List	Dimension	Material
01	Steam Tube Gauge (mm)	3.65	Blue Steel EN10255
02	Steel Tube OD (mm)	ø76	Blue Steel EN10255
03	Steel Strips Gauge (mm)	0.9	Blue Steel EN10255
04	Steel Strip Width (mm)	23.8	Blue Steel EN10255

Technical Specification
Delta 50C - watts:- 1280
Delta 50C - BTU/hr:- 4019

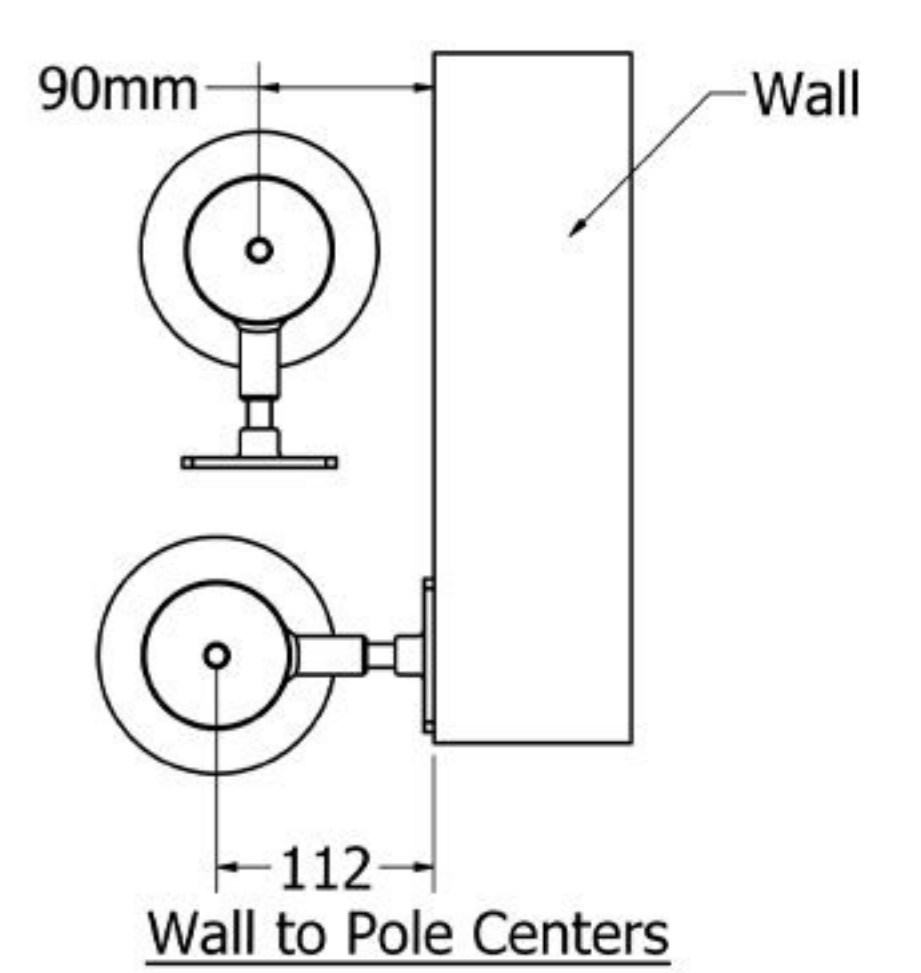
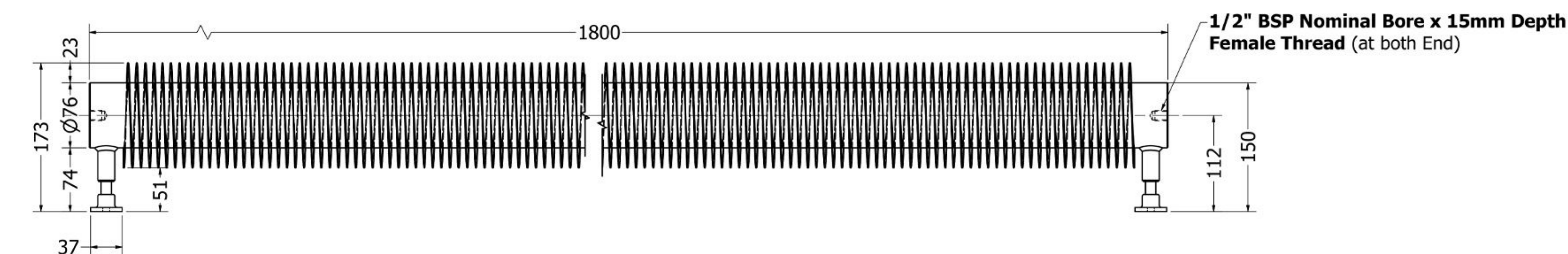
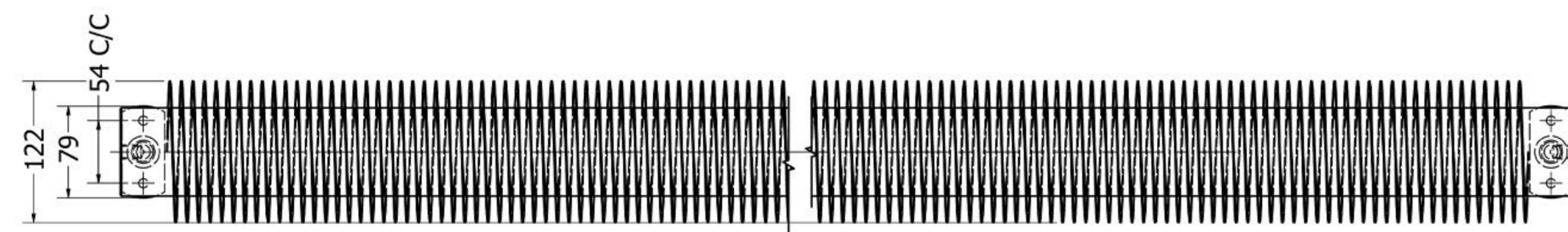
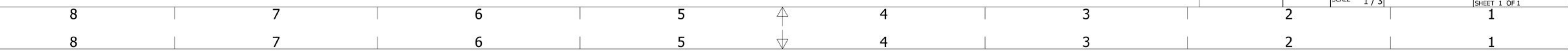
DRAWN	7/12/2023	Prestige Radiators Limited	
CHECKED		TITLE	
QA		LARGER FINN RADIATOR - 1600mm lg	
MFG		SIZE	REV
APPROVED		D	A
		SCALE	1 / 3 SHEET 1 OF 1



Material		Data	
Sr. No.	Parts List	Dimension	Material
01	Steam Tube Gauge (mm)	3.65	Blue Steel EN10255
02	Steel Tube OD (mm)	ø76	Blue Steel EN10255
03	Steel Strips Gauge (mm)	0.9	Blue Steel EN10255
04	Steel Strip Width (mm)	23.8	Blue Steel EN10255

Technical Specification
Delta 50C - watts:- 1360
Delta 50C - BTU/hr:- 4270

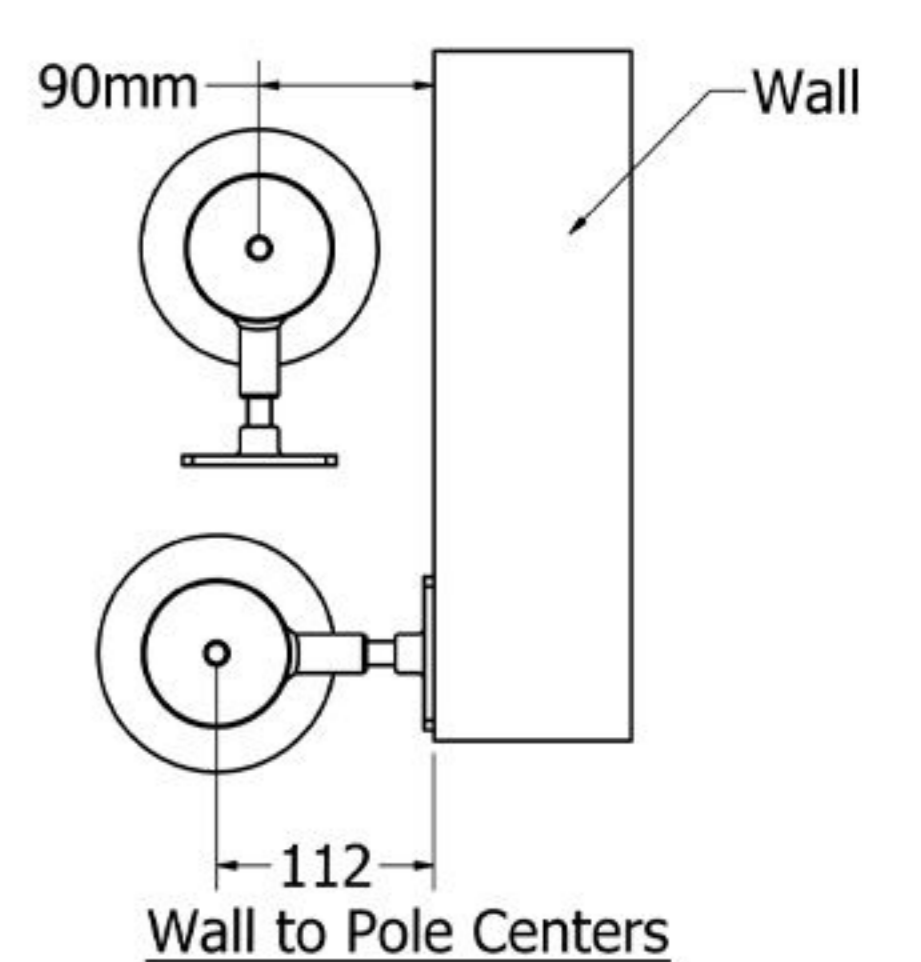
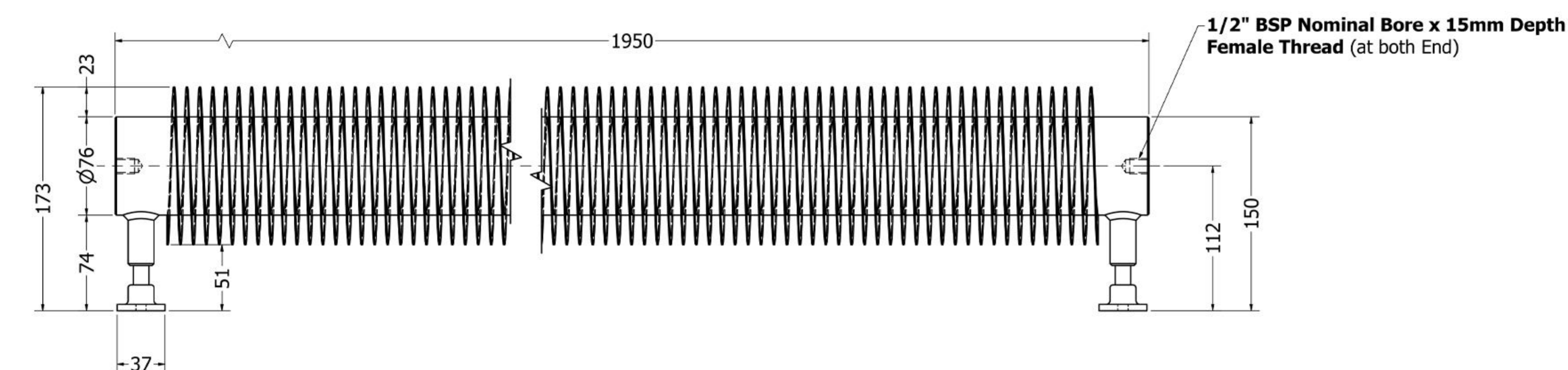
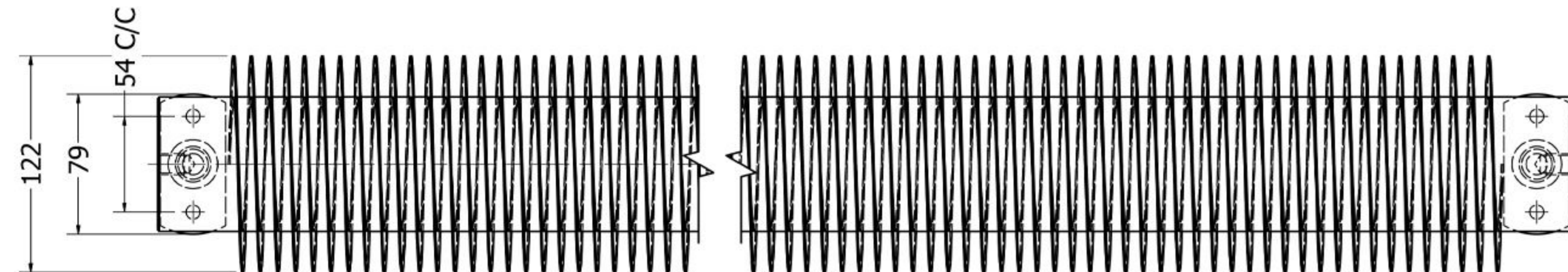
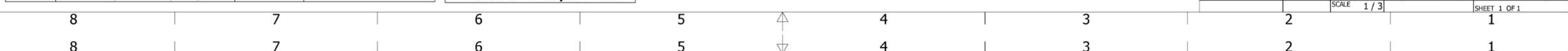
DRAWN	SD	7/12/2023	Prestige Radiators Limited	
CHECKED			TITLE	
QA			LARGER FINN RADIATOR - 1700mm lg	
MFG			SIZE	REV
APPROVED			D	A
			SCALE	SHEET
			1 / 3	1 OF 1



Material		Data	
Sr. No.	Parts List	Dimension	Material
01	Steam Tube Gauge (mm)	3.65	Blue Steel EN10255
02	Steel Tube OD (mm)	ø76	Blue Steel EN10255
03	Steel Strips Gauge (mm)	0.9	Blue Steel EN10255
04	Steel Strip Width (mm)	23.8	Blue Steel EN10255

Technical Specification
Delta 50C - watts:- 1440
Delta 50C - BTU/hr:- 4521

DRAWN	SD	7/12/2023	Prestige Radiators Limited	
CHECKED			TITLE	
QA			LARGER FINN RADIATOR - 1800mm lg	
MFG			SIZE	REV
APPROVED			D	A
			SCALE	SHEET
			1 / 3	1 OF 1



Material		Data	
Sr. No.	Parts List	Dimension	Material
01	Steam Tube Gauge (mm)	3.65	Blue Steel EN10255
02	Steel Tube OD (mm)	ø76	Blue Steel EN10255
03	Steel Strips Gauge (mm)	0.9	Blue Steel EN10255
04	Steel Strip Width (mm)	23.8	Blue Steel EN10255

Technical Specification
Delta 50C - watts:- 1560
Delta 50C - BTU/hr:- 4898

DRAWN	SD	7/12/2023	Prestige Radiators Limited	
CHECKED			TITLE	
QA			LARGER FINN RADIATOR - 1950mm lg	
MFG			SIZE	REV
APPROVED			D	A
			SCALE	SHEET
			1 / 2	1 OF 1

