

## GRAB BARS

**GW11 08 03 00 Folding bar 600 mm**

The image does not show the real finish.

**Product description**

Vertical folding bar.  
1.5 mm carbon steel tubing with 32 mm outside diameter.  
3 mm carbon steel support.  
White epoxy finish.  
Anti-vandalism product. Heavy duty.  
Gradual breaking system.  
Length: 600 mm.

**Technical specifications:**

Vertical folding bar with gradual breaking system incorporated. This horizontal installation bar is composed of carbon steel tubing with 32 mm of diameter and 1.5 mm of thickness. The tube has been bent as a "U" and it is reinforced by a joist with a paper hanger located in the middle. The wall support is composed of carbon steel plate with 3mm of thickness, and two carbon steel hinges with 3 mm of thickness using to turn the folding bar. All the pieces have been welded by TIG method. There are 6 bores on the wall mounted to support the bar on the wall. All the pieces of the bar have a white epoxy painted finish. The folding bar complies the ADA regulation. The bar is fixed to the wall with 6 nylon plugs of 10X60 and AISI304 stainless steel screws of 8X70 with hexagonal head. Grab bar will support loads in excess of 120Kg if properly installed. The total measures of the product are 300x100x800 mm. The grab bar code is GW11 08 03 00 manufactured by GENWEC WASHROOM S.L. – Av. Joan Carles I, 46-48 08908 L'Hospitalet de Llobregat.

**Technical characteristics****Product specifications**

Carbon steel tubing with Ø32 mm and 1,5 mm of thickness.  
Carbon steel support and hinge with 3 mm of thickness.  
Six Ø10,5 mm bores by support.  
No feed TIG Welding.  
White epoxy finish.  
Grab bar supports 120 Kg if properly fixed.

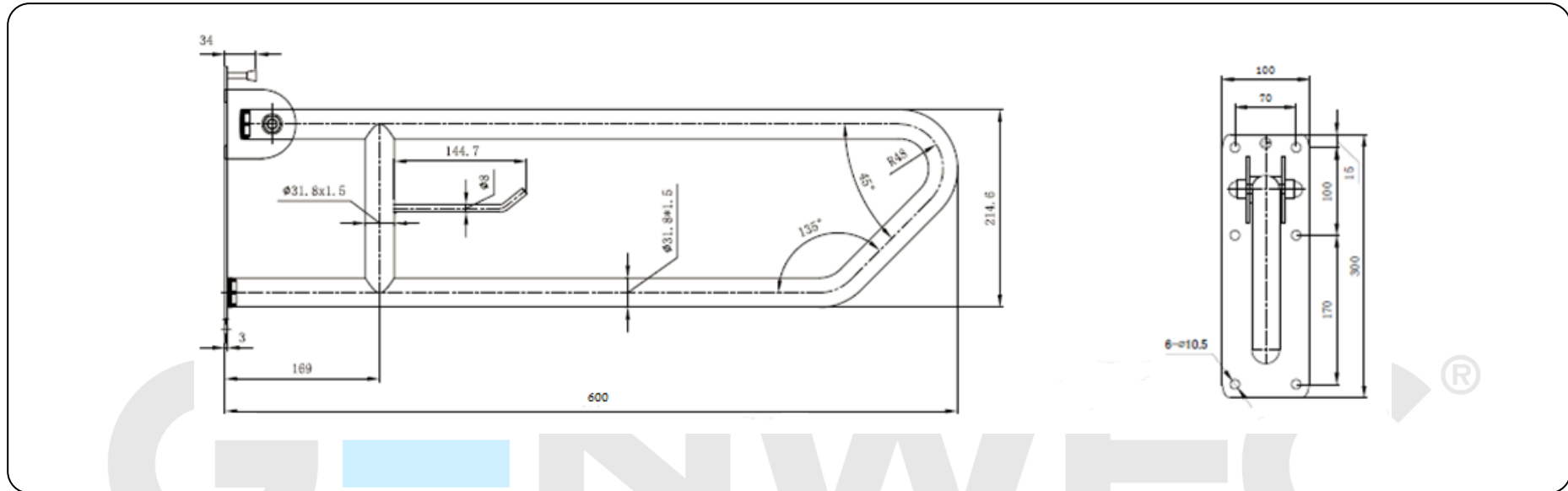
**Packaging specifications**

Packaging: Individual box and plastic bag  
Package weight: 3.80 kg.  
Package measures: 310x105x810 mm  
Product weight: 3.20 kg  
Product measures: 300x100x800 mm  
Carton units: 5  
Pallet units: 30 (\*)

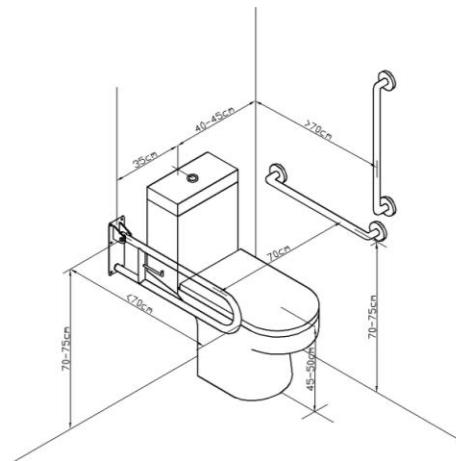
(\*)Maximum height 1,1m.

GRAB BARS

**GW11 08 03 00 Folding bar 600 mm**



**Installation advice**



**Electrical isolation:**

GENWEC WASHROOM, S.L. has electrical isolation kits for all grab bars manufactured in steel.  
The kit code for folding bars is GW11 01 90 01.

GENWEC WASHROOM S.L. reserves the right to modify and/or rectify products and their specifications without prior notice.

Measures: ±3%

Revised by: CSS\_V1 (01/2016)

GRAB BARS

**GW11 08 03 00 Folding bar 600 mm**



**Operation:** Horizontal position for use, folding position only recommended for accessibility.

**Cleaning:** A cotton cloth slightly dampened in a soapy solution is recommended. Then dry off.



GENWEC WASHROOM S.L. reserves the right to modify and/or rectify products and their specifications without prior notice.

Measures:  $\pm 3\%$

Revised by: CSS\_V1 (01/2016)