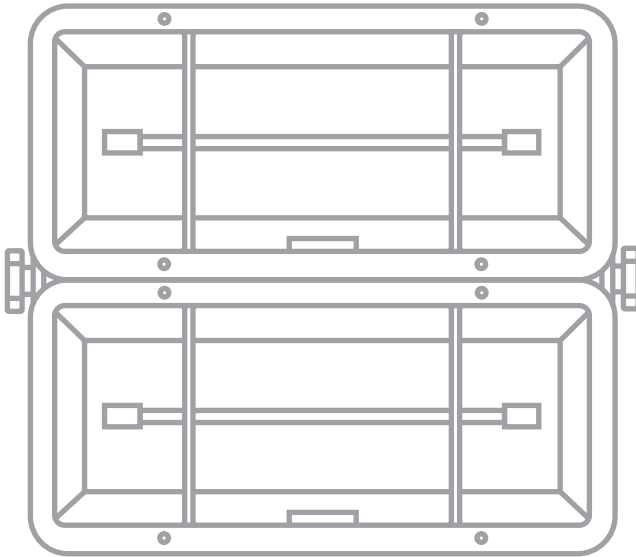


Product Instruction Manual












Sun Prince







1.0kW, 1.5kW, 2.0kW, 3.0kW, 4.0kW and 4.5kW
Indoor Halogen Infrared Heater

Thank you for purchasing the Hyco Sun Prince Heater. This heater is for use in unenclosed spaces. Please read and understand these instructions before commencing installation and leave them with the user when installation is complete.

1. Important safety points

-  Do not install the appliance if there is any sign of damage, especially to the lamp cables or grille.
-  The Electrical installation must be carried out by a qualified electrician in accordance with the current edition of the I.E.T. Wiring Regulations.
-  This appliance must be earthed.
-  Only connect the unit to a single phase supply with a mains voltage as specified on the rating plate.
-  The heater must be positioned at a minimum height of 1.8m from the floor.
-  The body of the heater can get very hot during usage, ensure the power cable cannot contact with it following installation.
-  Children aged from 3 years and less than 8 years shall only switch on/off the appliance provided that it has been placed or installed in its intended normal operating position and they have been given supervision or instruction concerning use of the appliance in a safe way and understand the hazards involved. Children aged from 3 years and less than 8 years shall not plug in, regulate and clean the appliance or perform user maintenance.
-  Some parts of this product can become very hot and cause burns. Particular attention has to be given where children and vulnerable people are present.
-  Do not install the heater in very dusty or explosive/combustible environments.
-  The heater is not suitable for outdoor use or use in damp conditions.
-  The heater is not suitable for use in locations where moving objects may collide with the heater, for example in sports halls where balls may collide with the lamp.

-  Do not use this heater with a programmer, timer, separate remote-control system or any other device that switches the heater on automatically, since a fire risk exists if the heater is covered or positioned incorrectly.
-  Ensure that any combustible materials such as; curtains, paper, clothing, furniture etc .are kept away at a minimum distance of 1.8m from all surface of the heater.
-  Do not use the heater without the safety guard fitted.
-  Do not use in ambient temperatures exceeding 25°C.

2. Installation

When choosing the location for mounting the Sun Prince, ensure that you have followed the safety points. All models can be mounted on the wall bracket provided. Units SP3000HL, SP4000HLG and SP4500HL can also be ceiling mounted using chains and eye bolts (not supplied).





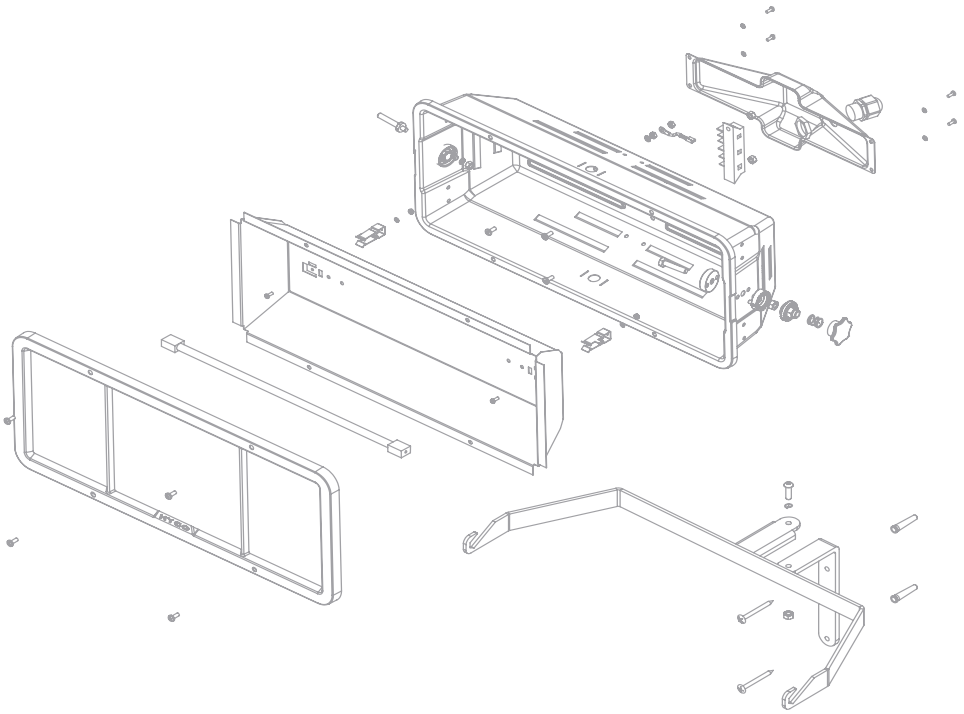
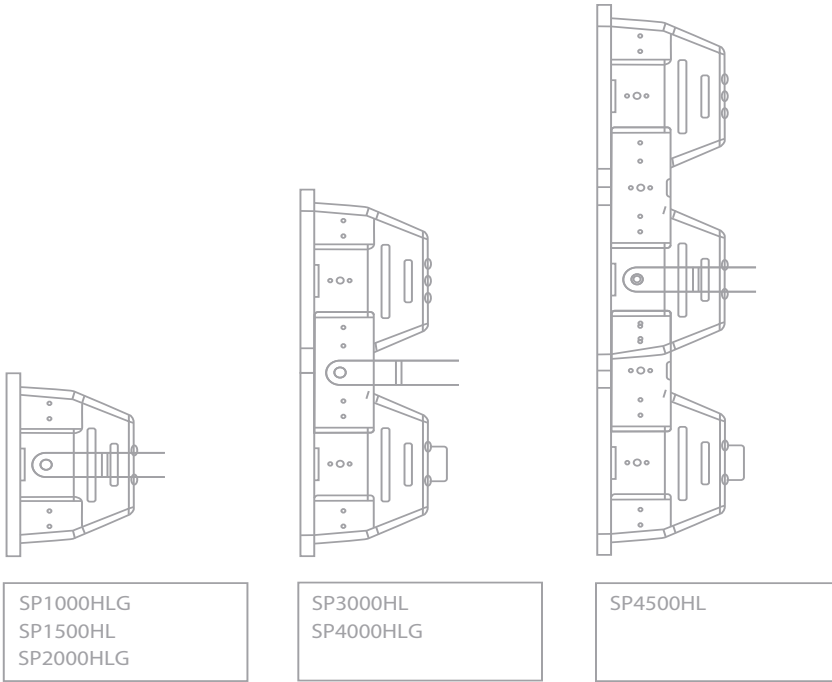
-  The heater must be mounted with the lamps in the horizontal position to avoid premature failure of the lamp.
-  The heater must be mounted at a minimum height of 1.8m from the floor .
-  The heater can be ceiling mounted but the minimum angle of 20° to the horizontal must be maintained.
-  The bracket supplied is designed to ensure the correct mounting angle is maintained. Do not attempt to modify the bracket in any way as incorrect mounting may cause the unit to overheat.

Fig 1 – Assembly drawing



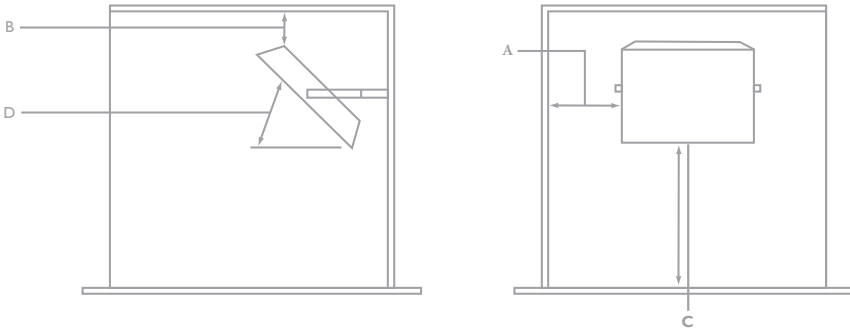
Wall mounting

Fig 2 Wall bracket mount to main body of the heater.



- When mounting the Sun Prince using the wall bracket provided, the minimum distances and angle must be observed.


Model Number	Distance A To wall (mm)	Distance B To ceiling (mm)	Distance C To floor (mm)	Angle D (°)
SP1000HLG	700	500	1800	20 - 90
SP1500HL	700	500	1800	20 - 90
SP2000HLG	700	500	1800	20 - 90
SP3000HL	700	500	1800	20 - 90
SP4000HLG	700	500	1800	20 - 90
SP4500HL	700	500	1800	20 - 90



Once the position of the Sun Prince has been decided, the unit can be mounted.

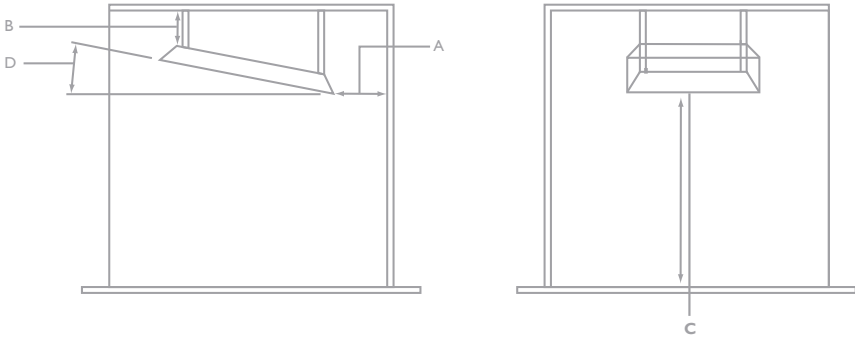
- The “L” piece of the bracket should be firmly fixed in position using screws and wall plugs.
- Attach the main body holder part of the bracket to the piece attached to the wall using the nut and bolt provided.
- Remove the handle from each side of the units mounting bolts, ensure the springs are retained.
- Offer up the Sun Prince and align the mounting bolts into the corresponding hexagon holes in the bracket. Ensure a minimum angle of 20° from the horizontal.
- Replace the spring and tighten the handles to complete the mounting.

Ceiling mounting

 Single units (SP1000HLG, SP1500HL, SP2000HLG) are not suitable for ceiling mounting. Use only the wall bracket provided.

When ceiling mounting the unit, the minimum distances still apply.

Model Number	Distance A To wall (mm)	Distance B To ceiling (mm)	Distance C To floor (mm)	Angle D (Min - Max °)	Chain Rating (kg)
SP3000HL	700	500	1800	20 - 45	25
SP4000HLG	700	500	1800	20 - 45	25
SP4500HL	700	500	1800	20 - 45	40



When mounting the unit ensure the mounting surface is capable of safely holding the weight of the unit being fitted.



The chains and eye bolts used to mount the unit must be rated to the values shown.

Electrical



This appliance must be earthed.

- The electrical connection should be made to the fixed wiring of the property using the appropriately rated cable (the supply cable must have a minimum temperature rating of 90°C) and a double pole isolator switch should be used.
- Please note that an inrush current of several times the steady state current will flow for a few hundredths of a second after first switching on, therefore a slow blow circuit breaker should be used.
- PIR devices or other controllers may be used to control this unit provided all devices are rated to the appropriate electrical loading with due allowance for the in-rush current. (Hyco Quartz controllers are available and are fitted with a “soft start” feature that negates the need for a slow blow circuit breaker).

Cable fitting

- Remove the back box to gain access to the terminal block.
- Fit the cable gland into the back box.
- Feed the cable through the cable gland and secure in the correct position.
- Connect the cable to the terminal block ensuring the wires are in the correct terminals:
 - Brown: L
 - Blue: N
 - Green / Yellow:
- Ensure the connections are tight and there are no loose or frayed wires.
- Refit the back box.

3. Operation

This unit does not have an on/off switch and will operate as soon as mains power is supplied to the unit.

4. Maintenance



Before any maintenance or cleaning, ensure the heater is disconnected from the power supply and has cooled completely.

- Wipe the exterior of the heater with a damp cloth.
- Do not use abrasives or chemical cleaners to clean the heater.
- If the reflector requires cleaning, use a soft, dry cloth taking care not to touch the quartz lamp with bare hands.

Lamp replacement



Check it is the correct lamp against the specification.



Do not touch the lamp with bare hands. Always use a soft cloth.



Do not touch the unit until it has been disconnected from the power supply and has cooled completely.

- Remove the four screws holding the lamp guard in place.
- Remove the guard from the main body.
- Remove the reflector.
- Remove the back box covering the terminal block. Disconnect the lamp wires from the terminal block that connects to the Live (L) and Neutral (N) terminals.
- Remove the lamp from the reflector, pulling the wires carefully through and dispose of safely.
- Take the new lamp and feed the wires through the holes in the reflector.
- Connect the lamp wires to the terminals marked L and N.

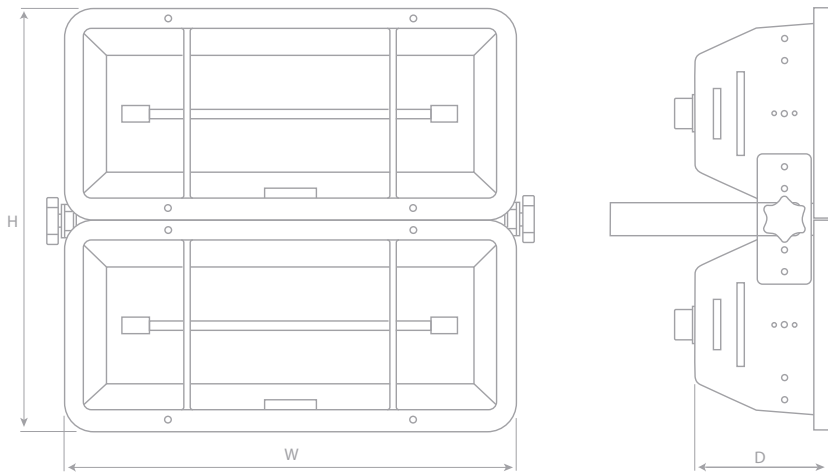
- Clip the lamp into the lamp holders.
- Replace the reflector and secure the front guard using the four retaining screws.
- Replace the back box covering the terminal block.

5. Specifications

Model	Power (kW)	Lamp Colour	Lamp Qty
SP1000HLG	1.0	Gold	1 x L1000CGL
SP1500HL	1.5	Ruby	1 x L1500CL
SP2000HLG	2.0	Gold	1 x L2000CGL
SP3000HL	3.0	Ruby	2 x L1500CL
SP4000HLG	4.0	Gold	2 x L2000CGL
SP4500HL	4.5	Ruby	3 x L1500CL

Dimensions

Model	Height (mm)	Width (mm)	Depth (mm)	Weight (kg)
SP1000HLG	198	474	141	3.09
SP1500HL	198	474	141	3.09
SP2000HLG	198	474	141	3.09
SP3000HL	398	474	141	5.35
SP4000HLG	398	474	141	5.35
SP4500HL	598	474	141	7.57



6. Guarantee and service policy

This product is covered by a standard parts or replacement warranty for a period of one year from the date of purchase.

If there is a manufacturing defect within the warranty period we will send spare parts, repair and return the unit or, at our discretion, supply a replacement product (excluding lamps).

Incorrect installation and failure to follow correct operating instructions are excluded. Consequential costs such as labour charges or damage to surroundings are expressly excluded.

Contact us

If you experience a problem with this product you should first contact our service department on 01924 225 200 before taking any further action.

Experience has shown that issues can often be resolved without the need to return or uninstall the product.



INFORMATION FOR CORRECT DISPOSAL OF THE PRODUCT IN ACCORDANCE WITH THE EUROPEAN DIRECTIVE 2012/19/EU.

At the end of its working life this equipment must not be disposed of as household waste. It must be taken to a local authority waste collection centre or to a dealer providing this service. Disposing of electrical and electronic equipment separately enables its components to be recovered and recycled to obtain significant savings in energy and resources. In order to underline the duty to dispose of this equipment separately, the product is marked with a crossed-out dustbin.