

# PRODUCT DATA SHEET

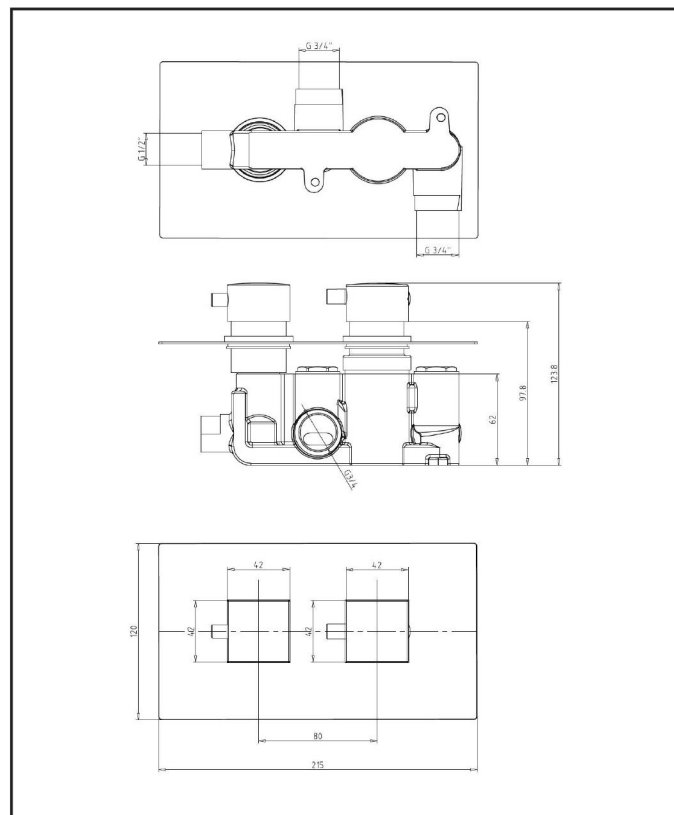
## Black Dual Handle 1 Outlet Concealed Valve

Product Code: BLACK001ORB



Product Name	BLACK001ORB
Product Description	Black Square Handled Dual Concealed Shower Valve
<b>Product Transportation</b>	
Barcode	5060500644215
Contry of origin	CH
Comodity code	8481804090
<b>Product Measurements</b>	
Product Weight (KG)	2.236
Product Width (mm)	120
Product Height (mm)	215
Product Depth (mm)	123.5
Product Length (mm)	0
<b>Primary Packed Measurements</b>	
Packaged Weight	2.48
Packed Length	25.3
Packed Width	13.6
Packed Height	14.4
<b>Packaging Weights</b>	
Card (kg)	0.098
Paper (kg)	0
Wood (kg)	0
Plastic (kg)	0
Compliance DOP	HBD0C042 , HBD0C043

<b>General Information</b>	
Construction Material	Brass / Stainless Steel
Installation type	In Wall
Colour / Finish	Brass/ Black
<b>Tap / Shower Attributes</b>	
WRAS Approved	Yes
TMV Approved	Yes
Minimum Operating Pressure (bar)	0.2
Maximum Operating Pressure (bar)	5
Flexible Tails Included	No
Number of tap holes required	N/a
Handle Type	Square
Swivel Spout	N/a
Inlet Connection	3/4 BSP
Outlet Connection	1/2 BSP
Tap Hole Diameter (mm)	N/a
Tap Type description	In wall Thermostatic mixer
Includes Waste	N/a
Valve / Cartridge Type	Thermostatic & Quarter Turn Cartridge
Cartridge Spare code	0
<b>Flow Rates</b>	
0.2bar (l/min)	6.5
0.5bar (l/min)	9.7
1bar (l/min)	14
2bar (l/min)	20.5
3bar (l/min)	27



**Dimensions**  
(measurements in mm)

**CNM Online**

**T:** 01977 663331 **E:** cnmservice@cnmonline.co.uk

Unit 2, North Point Business Park, Selby Road, Eggborough, North Yorkshire, DN14 0JT

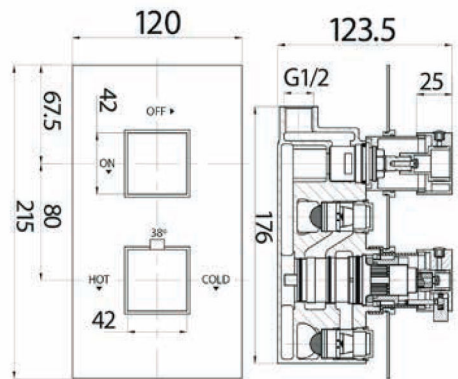
# PRODUCT DATA SHEET

## Black Dual Handle 1 Outlet Concealed Valve

Product Code: BLACK001ORB



Showering - Specification	
Anti-Scald	Yes
Shower Diverter function	No
Number of outlets	1
Thermostatic Temperature control	Yes
Cool Touch	No
Shower Handset functions	N/a
Minimum Working Pressure	0.2
Maximum Working Pressure	0
Shape	N/a
Pipe Centres (mm)	N/a
Inlet Connection	3/4 BSP
Outlet Connection	1/2 BSP
Adjustable	N/a
Adjustment (mm)	0
Handle Type	Square
Spares Codes	
Diverter Spares	T47052-08
Thermostatic cartridge Spares	H102V



**Dimensions**  
(measurements in mm)

**CNM Online**

**T:** 01977 663331 **E:** [cnmservice@cnmonline.co.uk](mailto:cnmservice@cnmonline.co.uk)

Unit 2, North Point Business Park, Selby Road, Eggborough, North Yorkshire, DN14 0JT