

PRODUCT DATA SHEET

Harrogate Kitchen Tap

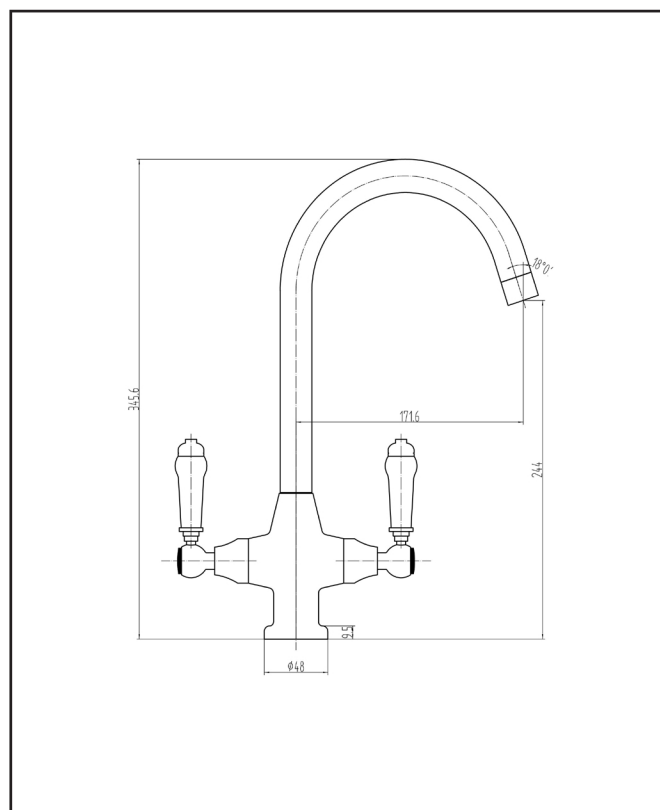
Product Code: KT13



Product Name	KT13
Product Description	Harrogate Kitchen Tap
Product Transportation	
Barcode	5060500640279
Country of origin	CH
Commodity code	8481801190
Product Measurements	
Product Weight (KG)	1.26
Product Width (mm)	171.6
Product Height (mm)	245.6
Product Depth (mm)	48
Product Length (mm)	0
Primary Packed Measurements	
Packaged Weight	1.7
Packed Length	260
Packed Width	450
Packed Height	60
Packaging Weights	
Card (kg)	0.23
Paper (kg)	0.11
Wood (kg)	n/a
Plastic (kg)	0.006
Compliance DOP	HBDOC041 , HBDOC040



General Information	
Construction Material	Brass , Stainless Steel
Installation type	Deck Mounted
Colour / Finish	Chrome
Tap / Shower Attributes	
WRAS Approved	Yes
TMV Approved	No
Minimum Operating Pressure (bar)	0.2
Maximum Operating Pressure (bar)	5
Flexible Tails Included	Yes
Number of tap holes required	1
Handle Type	Lever
Swivel Spout	Yes
Inlet Connection	1/2" M10
Outlet Connection	N/a
Tap Hole Diameter (mm)	35
Tap Type description	Manual Mixer
Includes Waste	No
Valve / Cartridge Type	Quarter Turn Cartridge
Cartridge Spare code	T1006-08
Flow Rates	
0.2bar (l/min)	3.5
0.5bar (l/min)	6
1bar (l/min)	8.1
2bar (l/min)	11.5
3bar (l/min)	14



Dimensions
(measurements in mm)

CNM Online

T: 01977 663331 **E:** cnmservice@cnmonline.co.uk

Unit 2, North Point Business Park, Selby Road, Eggborough, North Yorkshire, DN14 0JT