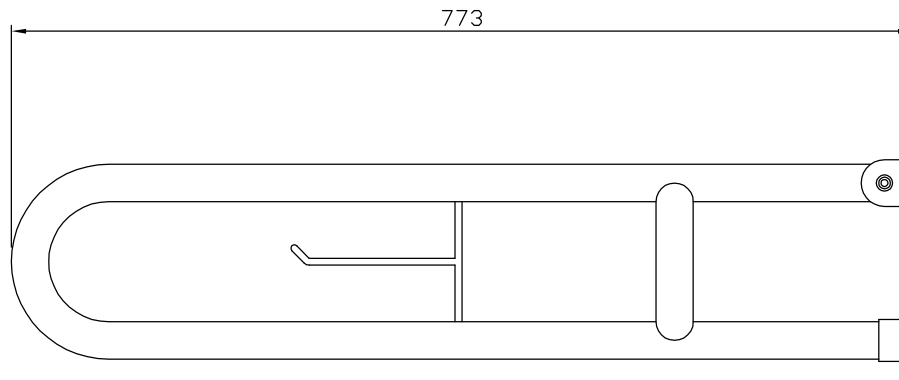
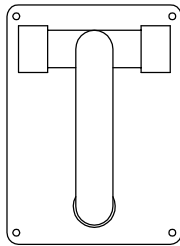
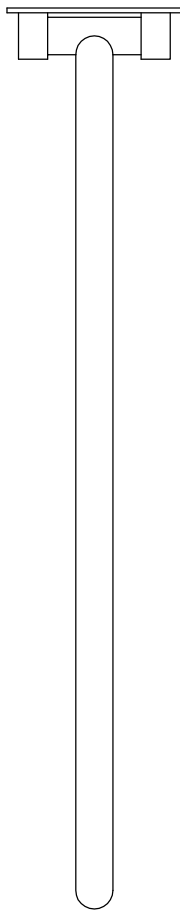
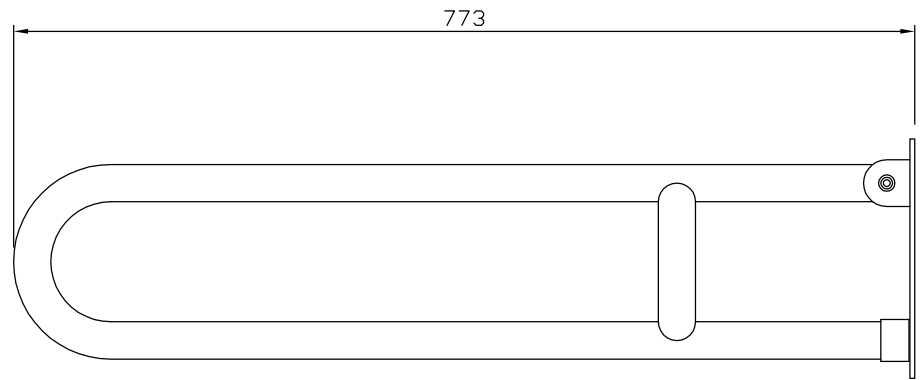
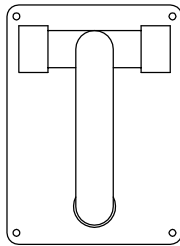
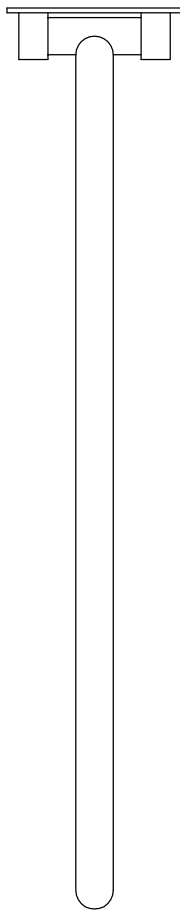
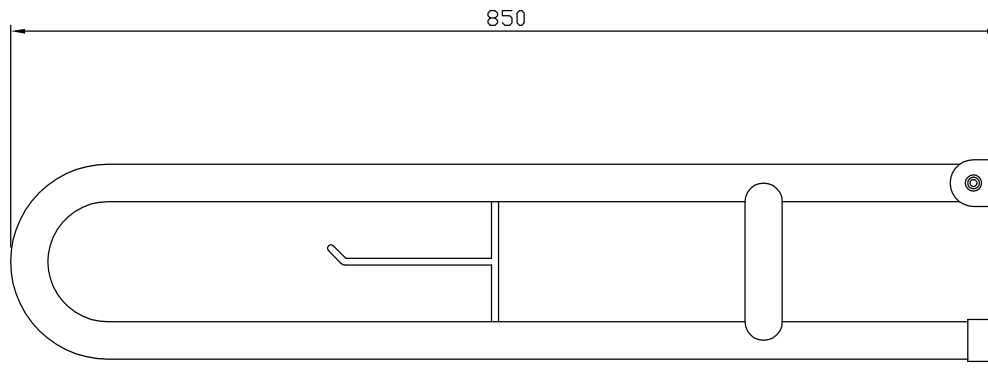
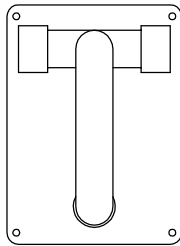
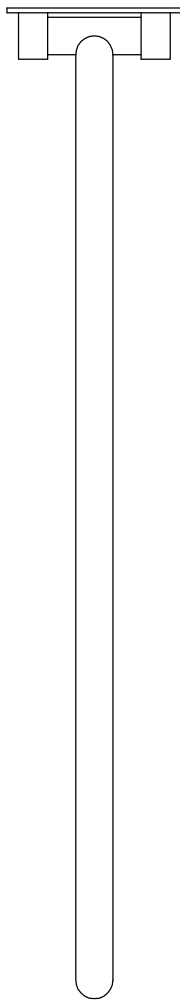


BELL-CHEM PRODUCTS COMPANY  
DOLPHIN STAINLESS STEEL HINGED SUPPORT RAIL  
BC5083-06/85



BELL-CHEM PRODUCTS COMPANY  
DOLPHIN STAINLESS STEEL HINGED SUPPORT RAIL WITH TOILET ROLL HOLDER  
BC5083-06TRH





BELL-CHEM PRODUCTS COMPANY  
DOLPHIN STAINLESS STEEL HINGED SUPPORT RAIL WITH TOILET ROLL HOLDER  
BC5083-06/85TRH