

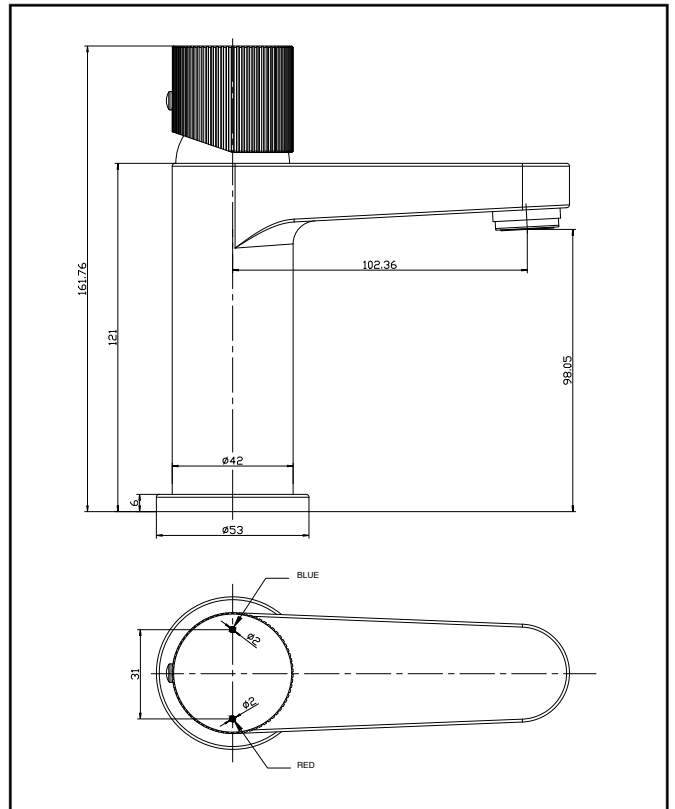
PRODUCT DATA SHEET

KOKO Basin Mixer Brushed Brass

Product Code: KO-012

Product Name	KO-012
Product Description	KOKO Basin Mixer Brushed Brass
Product Transportation	
Barcode	5060991250209
Country of origin	CH
Commodity code	8481809000
Product Measurements	
Product Weight (KG)	0.92
Product Width (mm)	See line drawing
Product Height (mm)	See line drawing
Product Depth (mm)	See line drawing
Primary Packed Measurements	
Packaged Weight	1.3
Packed Height	345
Packed Width	200
Packed Length	75

General Information	
Construction Material	Brass
Installation type	Basin Mounted
Colour / Finish	Brushed Brass
Tap / Shower Attributes	
WRAS Approved	TBC
TMV Approved	TBC
Minimum Operating Pressure (bar)	0.5
Maximum Operating Pressure (bar)	5
Flexible Tails Included	Yes
Number of tap holes required	1
Handle Type	Fluted
Swivel Spout	No
Inlet Connection	1/2
Outlet Connection	N/a
Tap Hole Diameter (mm)	35
Tap Type description	Mono Mixer
Includes Waste	No
Valve / Cartridge Type	35mm
Flow Rates	
0.2bar (l/min)	2.55
0.5bar (l/min)	4.41
1bar (l/min)	6.57
2bar (l/min)	9.48
3bar (l/min)	11.61
5bar (l/min)	14.96



Dimensions
(Measurements in mm)



LIFETIME GUARANTEE

We are confident in our products and we want our customer to be, we proudly give a lifetime guarantee on our taps and showers, further details can be found on our website.