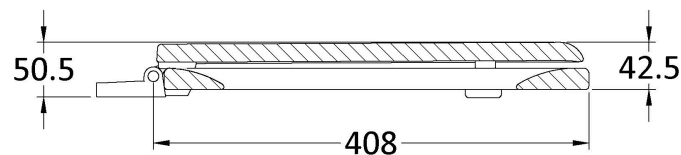
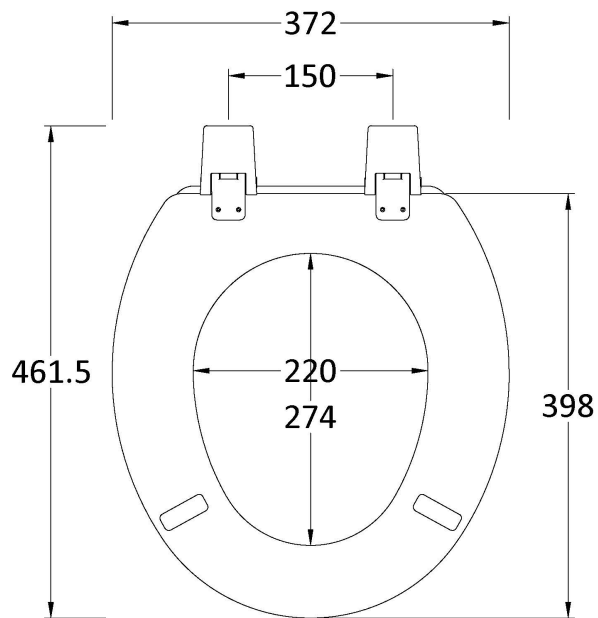


Sales Code: NTS303

Description: Trad Round Toilet Seat Plastic Hinges



Product Dimensions

| | |
|-------------------|-----|
| Length (mm): | 462 |
| Width (mm): | 372 |
| Height (mm): | 51 |
| Nett Weight (kg): | 3 |

Packaging Dimensions

| | |
|--------------------|-----|
| Length (mm): | 370 |
| Width (mm): | 470 |
| Height (mm): | 55 |
| Gross Weight (kg): | 3 |

Packaging Data

| | |
|---------------|-------------------------------|
| Box Colour: | White Cardboard Box - Printed |
| Box Qty: | 1 |
| Label Size: | 100 x 50 |
| Label Colour: | White Label |
| Label Qty: | 1 |

Outer Box Dimensions (If Applicable)

| | |
|--------------------|---------------|
| Length (mm): | 390 |
| Width (mm): | 370 |
| Height (mm): | 500 |
| Gross Weight (kg): | 17 |
| Barcode: | 5055369034352 |

Product Details

| | |
|----------------------|----------------|
| Country of Origin: | United Kingdom |
| Fitting Instruction: | No |
| CE Certification: | Yes |
| Product Material: | Moulded Wood |
| Seat Type: | Round |
| Seat Function: | Standard |
| Hinge Centres (Min): | 139 |
| Hinge Centres (Max): | 171 |
| Hinge Material: | Polypropylene |
| Colour/Finish: | White |
| Fixing Method: | Bottom Fix |