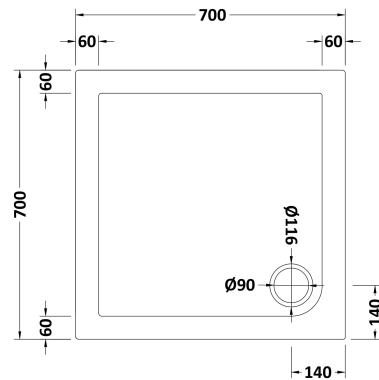


Sales Code: NTP002

Description: Square Tray 700 X 700



Product Dimensions

Length (mm):	700
Width (mm):	700
Height (mm):	40
Nett Weight (kg):	13.6

Packaging Dimensions

Length (mm):	740
Width (mm):	740
Height (mm):	80
Gross Weight (kg):	13.6

Packaging Data

Box Colour:	Shrinkwrap & Polystyrene
Box Qty:	1
Label Size:	100 x 50
Label Colour:	White Label
Label Qty:	2

Outer Box Dimensions (If Applicable)

Length (mm):	
Width (mm):	
Height (mm):	
Gross Weight (kg):	
Barcode:	5055369045853

Product Details

Country of Origin:	United Kingdom
Fitting Instruction:	No
CE Certification:	Yes
Colour/Finish:	White
Product Material:	Acrylic Capped ABS Caco3 & Pu
Material Colour Reference:	European White
Radius:	0
Waste Required (mm):	90
Compatible with Leg Kit:	Yes