



Installation, Operating and Servicing Instructions

Wall Mounted Water Boiler WMB3F/B, WMB3F/W

Please make a note of your product details for
future use:

Date Purchased: _____

Model Number: _____

Serial Number: _____

Dealer: _____

CONTENTS

Important Information	2
Warnings and Precautions	3
Technical Data	3
Checklist of Enclosures	3
Installation and Commissioning	3-5
Operating Instructions	5-8
Cleaning	8-9
Servicing, Maintenance and Component Replacement	10
Fault Finding	10
Spare Parts List	11
Accessories	11
Service Information and Guarantee	12

IMPORTANT INFORMATION



Read these instructions carefully before using this product, paying particular attention to all sections that carry warning symbols, caution symbols and notices. Ensure that these are understood at all times.



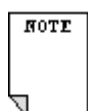
WARNING!

This symbol is used whenever there is a risk of personal injury.



CAUTION!

This symbol is used whenever there is a risk of damaging your Lincat product.



NOTE:

This symbol is used to provide additional information, hints and tips.

KEEP THIS MANUAL FOR FUTURE REFERENCE

WARNINGS AND PRECAUTIONS



This appliance must be installed, commissioned and serviced by a qualified person in accordance with national and local regulations in force in the country of installation.

If the supply cord is damaged, it must be replaced by the manufacturer, its service agent or similarly qualified person.

Ensure that the plug/socket is accessible at all times.

Strip plastic coating and clean the appliance before use.

During operation parts may become hot - avoid accidental contact.

Disconnect this appliance before servicing, maintenance or cleaning.

This appliance is not suitable for outdoor use.

TECHNICAL DATA

Model	Height (mm)	Width (mm)	Depth (mm)	Weight (kg)
WMB3F/B	415	300	185	8.5
WMB3F/W				

CHECK LIST OF ENCLOSURES

Warranty card
Instructions manual
44mm diameter rubber grommet
IS436 mounting template

INSTALLATION AND COMMISSIONING

This appliance must be earthed.



An equipotential bonding terminal is provided to allow cross bonding with other equipment.

No supply cable or connection hose is supplied with this appliance.

If replacing the plug connect the terminals as follows:

Green and Yellow wire	Earth	E
Blue wire	Neutral	N
Brown wire	Live	L

Means of isolation with at least 3mm contact separation in all poles must be incorporated into the fixed wiring of this appliance.

The fixed wiring insulation must be protected by insulated sleeving having a temperature rating of at least 60 Deg C.

Supply cords shall be oil resistant, sheathed flexible cable not lighter than ordinary polychloroprene or equivalent elastomer sheathed cord (code 60245 IEC 57)

Do not re-use old hose sets.

Wall installation

The boiler must be installed on a vertical concrete/brick wall with the base in a horizontal position. The location must be frost free.

Using the template IS436 provided, mark the position of the mounting holes. Drill the holes and insert suitable wall plugs.

Remove the glass front /outer body of the boiler by firstly removing the tap, circlip and nut. Remove the screw holding the lower centre trim and remove the centre trim. Finally remove the screw in the top front of the lid and then slide the glass and body assembly up and lift away from the appliance.
Secure the boiler to the wall using 5mm (10g) screws.

Please allow 400mm clear space above the unit to allow removal of the cover and 300mm below the unit to allow for filter removal.

Electrical installation

The appliance is supplied with a terminal block suitable for flexible wires up to 6mm². Cables may either be threaded through the cut out in the back panel, or via a 20mm diameter glanded bush in the base after removing the smaller knock out panel (Fig 1 B).

Connection sequence is:

E	Earth	Green/Yellow	Right terminal
N	Neutral	Live	Centre terminal
L	Live	Brown	Left terminal

Power Ratings

Model	kW	Amps
WMB3F/B	3.0	13.0
WMB3F/W		

Water Installation

Connection hoses may either be fed through the cutout in the back panel or via the larger of the two knock out panels (Fig 1 A). A blank rubber grommet is supplied and should be cut to fit around the feed pipe and fitted into the appliance base to seal it.

and should be connected to the mains water supply via an accessible isolating tap.

Connect the condensate/overflow pipe (Fig 1 F) to a suitable drain, considering any applicable local water regulations. If required, the internal pipe may be disconnected from the external connector and the pipe extended to pass through the cutout in the back panel and connected to a suitable drain.

Ambient temp Deg C	Water inlet pressure Bar	Water inlet pressure kPa
5 to 30	1 to 8	100 to 800

Turn on the water supply and check for leaks before refitting the outer cover in a reversal of the removal procedure.

OPERATING INSTRUCTIONS

Only qualified or trained personnel should use this appliance.

First Use

Switch on both mains water and electricity supplies and leave the boiler for 15 minutes to fill completely.

Drain off approximately 3 litres of water to remove any loose carbon particles from the filter.

Regular operation

The appliance starts automatically shortly after the electrical supply is turned on, filling with water and heating. To ensure that water is always hot, only small quantities are added constantly during the heating cycle. The appliance is designed to be left on permanently, only to be turned off for descaling or maintenance.

Adjustment - water temperature, screen backlight and contrast.

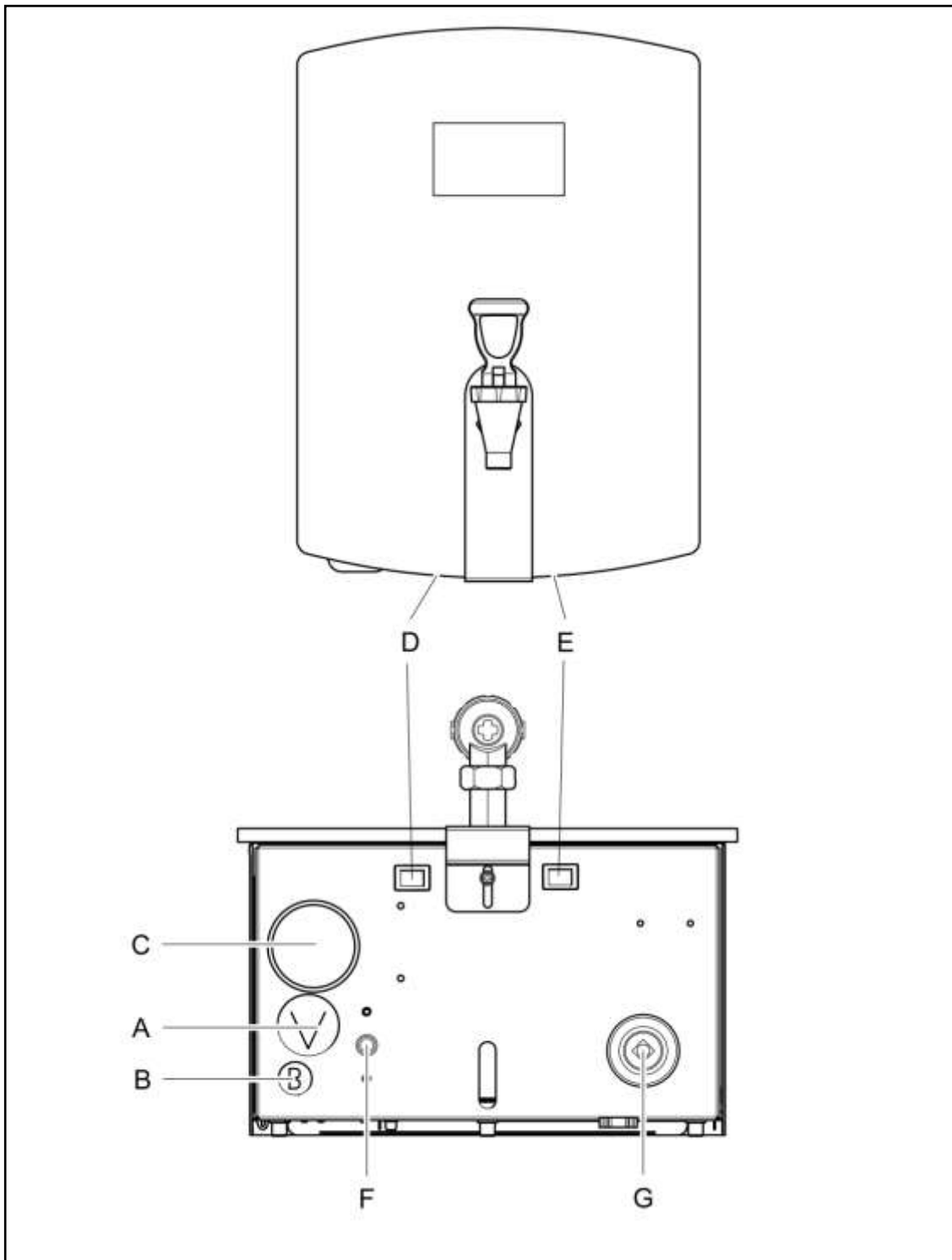


Fig 1

Consult Fig 1.

Turn power off at the mains for 5 seconds and then back on again. When the **power** button (D) until the

software version is displayed. Press the function button **Fn** (E) and the temperature will be displayed.

Press the **power** button to cycle through the values 70 to 96 Deg C. Press the **Fn** button to select the required value.

The backlight adjustment screen is displayed next. Press the **power** button to cycle through the values 1 to 25. Press the **Fn** button to select the required value.

The contrast adjustment screen is displayed next. Press the **power** button to cycle through the values 35 to 60. Press the **Fn** button to select the required value.

Press the **power** button to exit.

Standby

If the appliance is to be left unused for any length of time, turn the element off by pressing the **power** button.

Filter replacement

The filter display shows the estimated life left in the filter cartridge (Fig 2). A reminder message is displayed when the filter needs changing. The boiler can be used without a filter but scale will quickly build up and water taste may be affected.

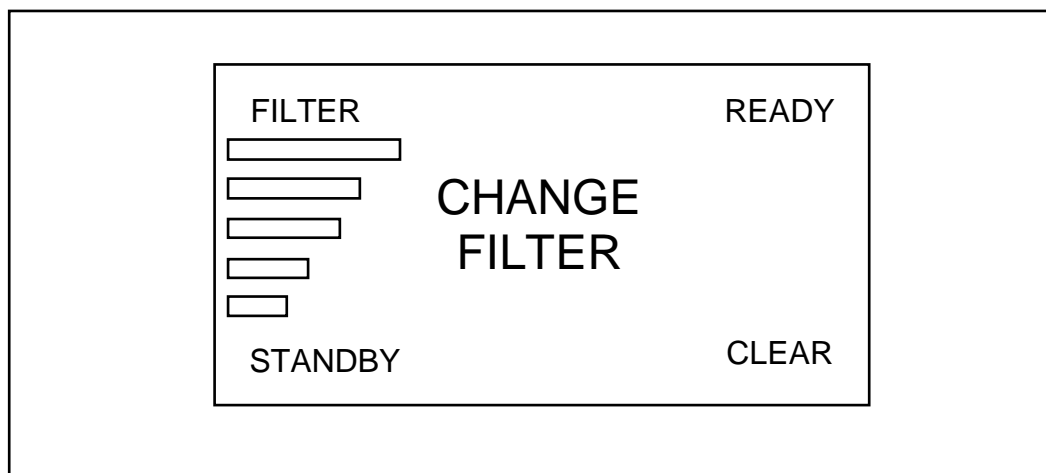


Fig 2

To replace the filter

Twist the base of the filter 90 degrees to the left and carefully lower the filter cartridge out of the appliance. It will contain a small volume of water.

Remove the black cap and place it on the new filter.

Re-insert the filter into the recess and lock into place by twisting to the right.

Press and hold the **Fn** button for 5 seconds to reset the filter life.

Drain off approximately 3 litres of water to remove any loose carbon particles from the filter.

CLEANING



Do not use a water jet or steam cleaner, and do not immerse this appliance.

Clean all panels with warm water and mild detergent, do not use abrasive materials. Dry with a soft cloth.

Wipe the dispensing nozzle daily to remove limescale deposits.

De-scaling

The boiler should be de-scaled regularly to maintain efficient operation and water quality. The frequency depends on the hardness of the water and the timely replacement of the filter.



The de-scaling procedure must be performed by trained personnel as it requires the removal of panels from the boiler giving access to live electrical components.

De-scaling the boiler at the end of the working day gives the de-scaling agent several hours to work. Lincat recommend our own de-scaling agent MS19, available from our Spares department.

Wear protective clothing.

Isolate the boiler from the electrical supply.

Turn off the power and allow the water to cool to 60 Deg C.

Using a 3mm Allen key, remove the screw in the top of the boiler and remove the boiler outer body.

Remove the insulation from the top of the tank, then unscrew and remove the tank lid.

Add the de-scaling agent slowly to avoid eruption of the water. Follow the instructions.

Replace the tank lid and outer body. A prevent use during de-scaling.

Turn on the electricity and allow the boiler to run normally for 30 minutes. Isolate the boiler and allow the water to cool.

Remove the outer body and tank lid and inspect the tank and level sensor housings for scale deposits. If necessary, repeat the de-scaling process.

Drain and flush all de-scaling agent from the tank completely as follows:

Unscrew the drain plug (beneath the grommet Fig 1 G) using a 24mm spanner to hold the plug and a 21mm socket on a ratchet (Fig 3) to remove it from the bottom of the tank. Drain all the water out.

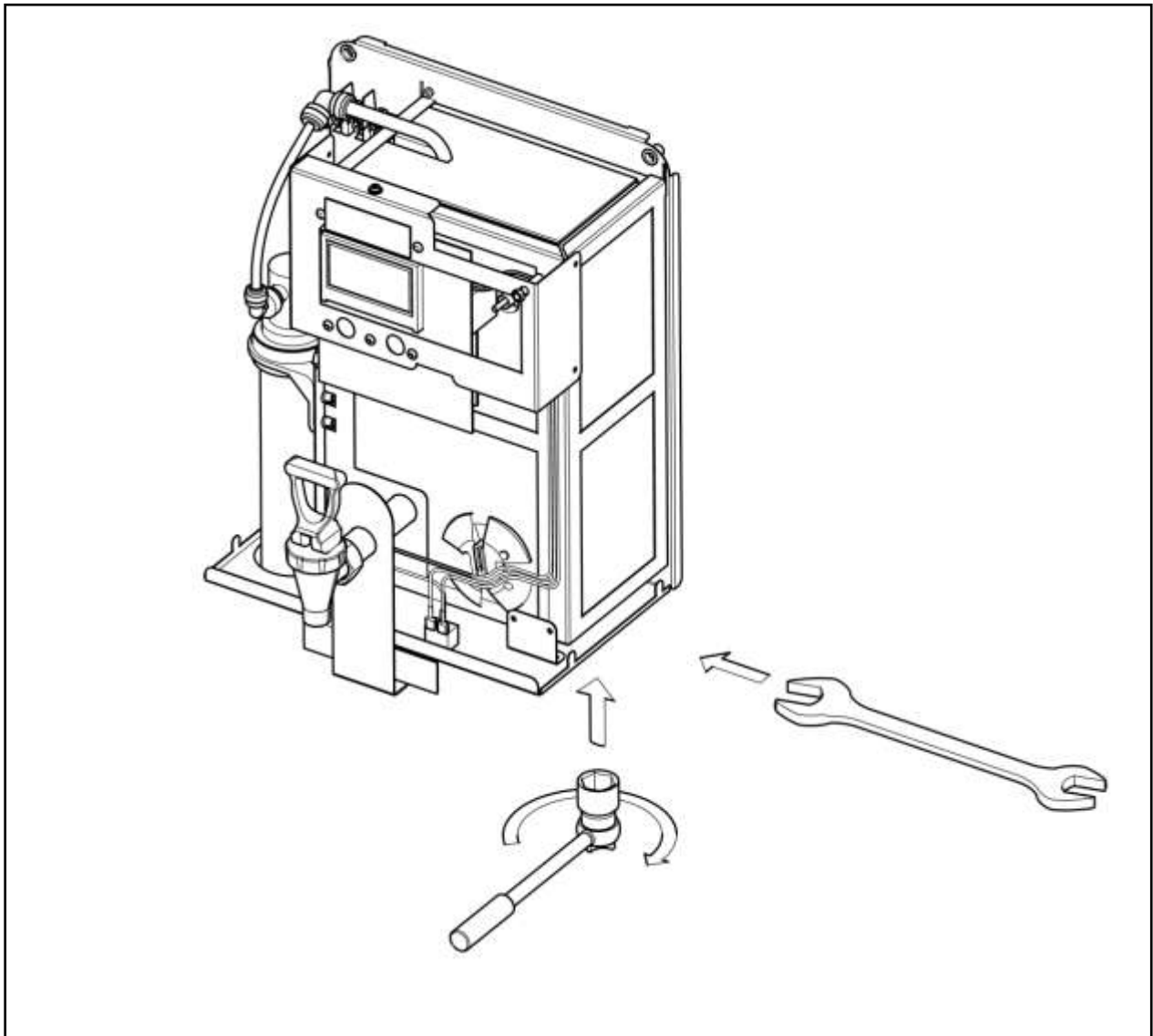


Fig 3

Flush out the tank with clean water.

When empty, replace the drain plug and replace the grommet.

Replace the tank lid, ensuring the gasket seals the top of the tank correctly.


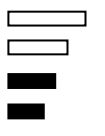

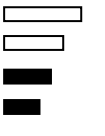

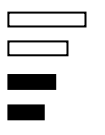

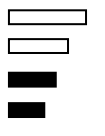
Refit the outer cover and turn the boiler on.

SERVICING, MAINTENANCE AND COMPONENT REPLACEMENT

All servicing, maintenance and component replacement on this appliance should be carried out by one of our recommended service engineers.

FAULT FINDING

The control panel displays information that can help with fault diagnosis. Before calling for service, draw off a litre of water, clear the fault code by pressing the Fn button and turn the boiler off and on again at the supply. If the fault persists, call service for advice.

Message displayed	Possible causes	Corrective action
FILTER DESCALE   STANDBY CLEAR	Scale on level sensors Boiler overfilling	Descale Check water inlet valve
FILTER NO WATER   STANDBY CLEAR	Water turned off Inlet hose kinked or blocked Water pressure too high or low Drain valve open	
FILTER NOT HEATING   STANDBY CLEAR	Boil dry/overheat protector tripped Temperature sensor fault Element failed PCB fault Faulty or loose connection	Check water supply and drain valve Call service if fault persists
FILTER THERMISTOR   STANDBY	Temperature sensor fault	Call service

SPARE PARTS LIST

Part Number	Description	Used on
CO252	Compression stop end	WMB3F/B, WMB3F/W
EL277	Element	
FH02	Filter head only	
GA56	Tank gasket	
GF01	Glass front	WMB3F/B
GF02	Glass front	WMB3F/W
LE47	Level sensor insulator	WMB3F/B, WMB3F/W
LE48	Upper level sensor	
LE51	Lower level sensor	
PR73	Circuit board	
SI01	Sensor isolator	
SL20	Tap nut	
SL21	Tap circlip	
SL34	Tap body	
SO24	Solenoid	
SW88	Momentary switch	
TE40	Terminal block	
TH87	95 Deg cutout	
TH88	120 Deg cutout	
TH98	Thermistor	

ACCESSORIES

Part Number	Description
DR72	Drip tray
FC02	Filter cartridge
MS19	De-scaler

SERVICE INFORMATION

For help with the installation, maintenance and use of your **Lincat** equipment, please contact our service department:

☎ UK: 01522 875520

For non-UK customers, please contact your local Lincat dealer

All service work, other than routine cleaning should be carried out by one of our authorised service agents. We cannot accept responsibility for work carried out by other persons.

To ensure your service enquiry is handled as efficiently as possible, please tell us:

- Brief details of the problem
 - Product code
 - Type number
 - Serial number
- } All available on serial plate

Lincat reserve the right to carry out any work under warranty, given reasonable access to the appliance, during normal working hours, Monday to Friday, 08:30 to 17:00.

GUARANTEE

This unit carries a comprehensive UK mainland 2 year warranty. The guarantee is in addition to, and does not diminish your statutory or legal rights.

The guarantee does not cover:

- Accidental damage instructions
- Consumable items (such as filters, glass, bulbs, slot toaster elements and door seals.)
- Damage due to incorrect installation, modification, unauthorised service work or damage due to scale, food debris build-up, etc.

The manufacturer disclaims any liability for incidental, or consequential damages. Attendance is based on reasonable access to the appliance to allow the authorised technician to carry out the warranty work.

Service calls to equipment under warranty will be carried out in accordance with the conditions of sale. Unless otherwise specified, a maximum of 15 minutes of administrative time, not spent directly carrying out servicing work, is provided for within the warranty. Any requirement for staff attending the call to spend greater time than 15 minutes due to administrative requirements, such as on health and safety risk assessments, will be chargeable at the prevailing rate.