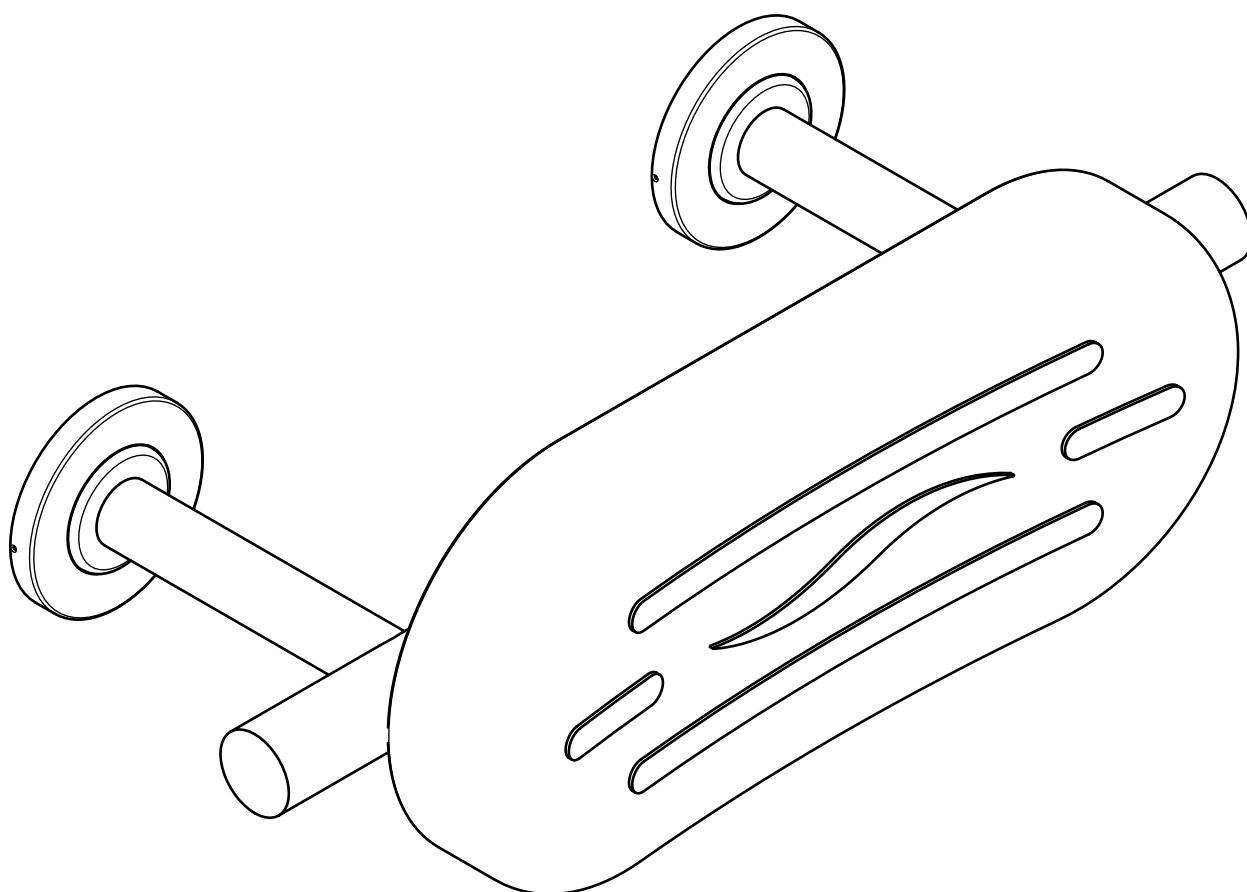


Installation, Operation, and Maintenance Manual



Product code: F22-B220-LSC

Description: Luxury stainless steel back rest rail and pad with concealed fixings

Disclaimer:

NYMAS Group pursues a continuous improvement strategy in the design and performance of its products and reserves the right to change specifications without prior notice - terms and conditions apply. The information contained in this document is correct at date of issue. Dimensions are provided as a guide only - some variation may occur due to manufacturing tolerances.

NYMAS Group accepts no liability whatsoever for personal injury or damage to product(s) or property that has been caused by incorrect assembly, installation, modification or use of this product. Failure to install/use this product in line with the instructions in this manual will invalidate any warranty and may affect product safety.

Safety warnings:



Always read the installation, operation, and maintenance manual. Installation should be carried out by a suitably qualified tradesperson using the correct wall fixings for the wall substrate. Familiarise yourself with these warnings before beginning any work:

- Pre-drilling fixing holes is not recommended before physically receiving this product.
 - Never alter the fixing holes and use all fixing holes provided.
 - A thorough check must be carried out upon receipt and any defects reported immediately.
 - Opening the packaging without due care and attention could result in damage to the product or injury.
 - This product must be stored in a dry place, the correct way up and not stacked under other equipment.
 - Ensure that the surface which the product is to be fitted is flat and free from defects.
 - Non-corrosive fixings must be used to fix this product to the surface.
 - The installer must thoroughly check the integrity of the assembled and installed product.
 - Improper installation/use may cause accidents and injuries.
 - Modification to the product is not recommended and may result in accident / injury and invalidates your warranty.
 - This manual should be retained by the end user/property owner for the life of the product.
 - The product should not be subjected to impact.
 - Do not use the product if it appears damaged.
 - If in doubt, carry out your own risk assessment and/or quality check for each installation.
 - **Maximum load = THIS PRODUCT IS NOT LOAD BEARING**
-

Product cleaning:



CAUTION - Improper cleaning can lead to surface damage and injury.

- Clean the product as and when needed.
- Follow the cleaning product manufacturer's advice about contact time, concentration, safety etc.
- Try on an inconspicuous area first.
- Rinse with fresh water immediately after cleaning.
- Do not use any cleaning products with an unknown composition.
- Note the material specific information on suitable/unsuitable cleaning products.
- Thorough drying with a soft dry cloth is recommended.

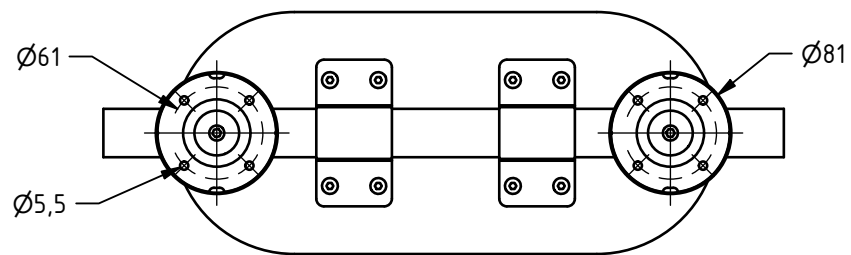
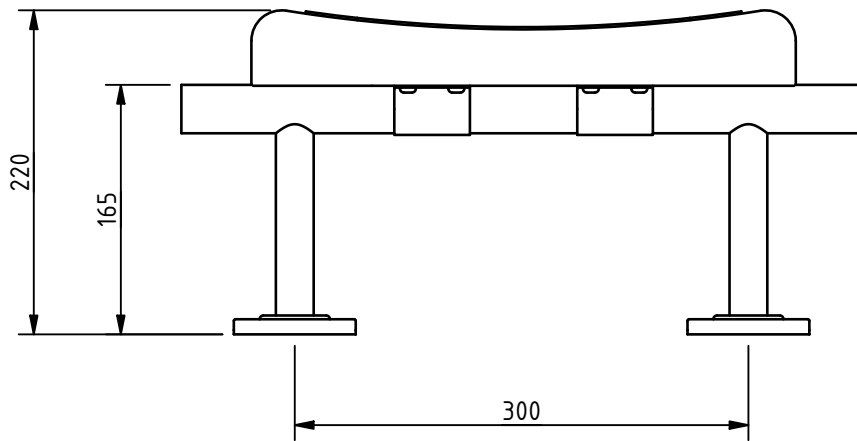
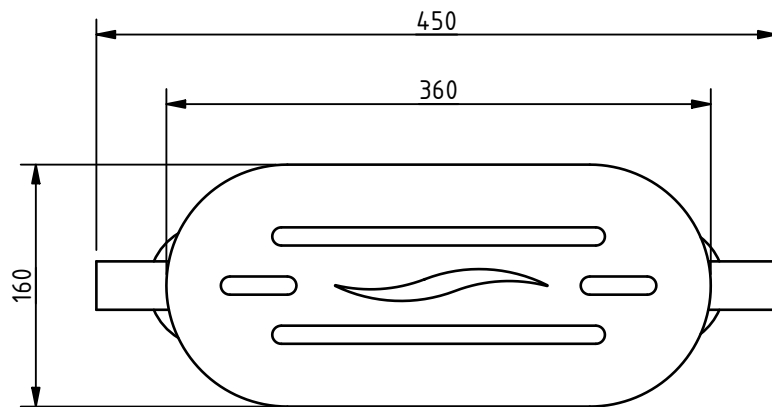
Unsuitable cleaning products:

- Abrasive products (e.g., scoured/scouring agents, brushes, steel wool, dirt easers, microfibers).
- Acidic, alkaline, chlorine and solvent based cleaning products.
- Steam cleaners.
- **DO NOT** use cleaning components containing iron (e.g., scour sponge, steel wool).

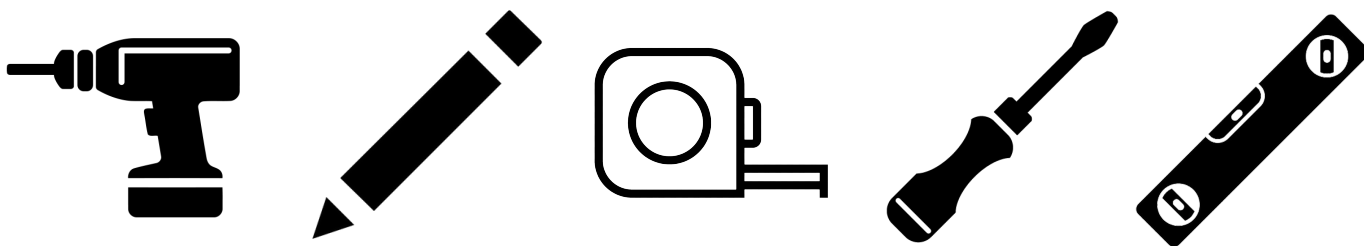
Disposal:

Dispose of this product and packaging in line with local authority regulations.

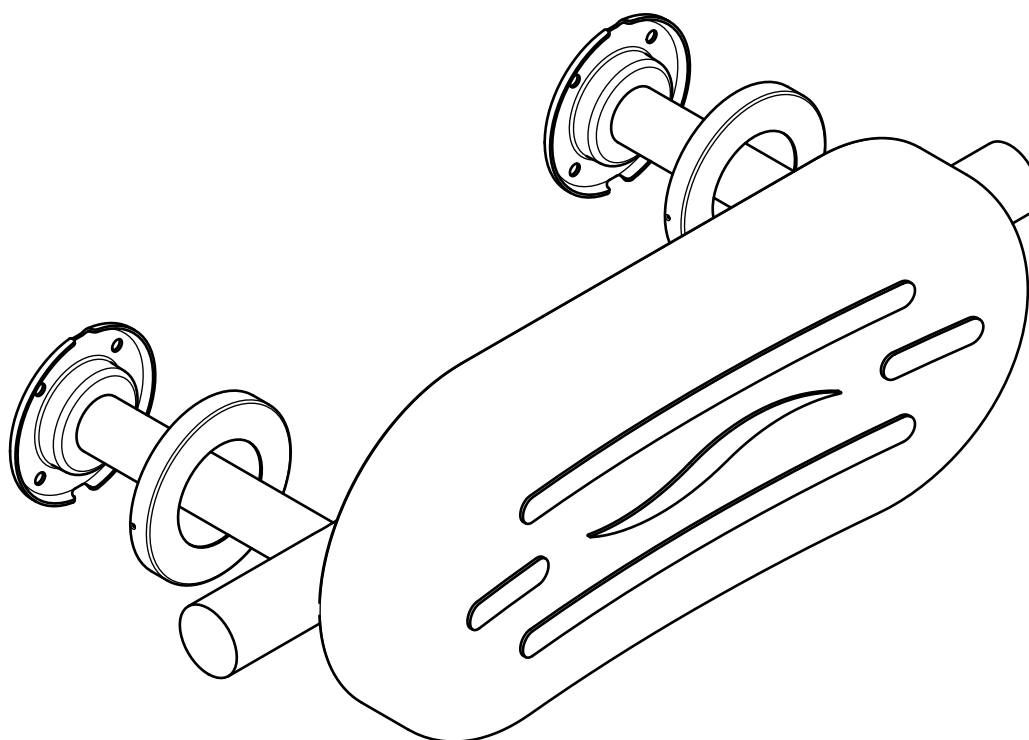
Product dimensions: (mm)



Tools required:



What's in the box:



Pre-installation:

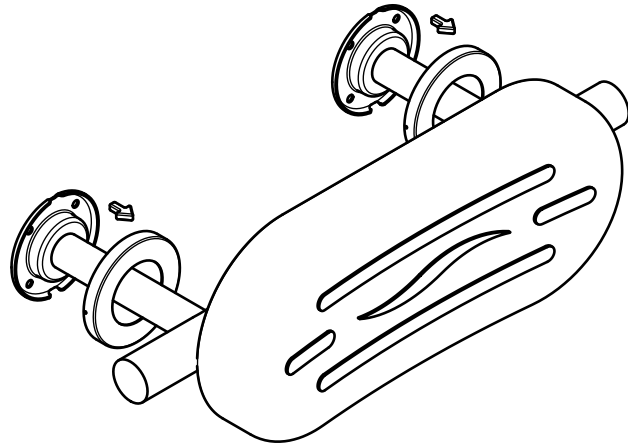


CAUTION - Ensure safety warnings section of this document has been read.

Installation:

1.

Ensure covers are clear from the wall fixing plates.

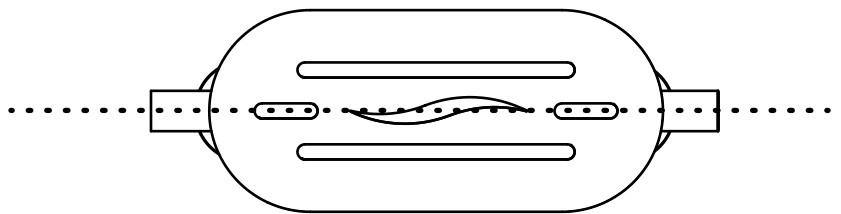


2.

Hold the back rest up to the required fixing position.
Use a laser or spirit level to make sure the back rest is level, referencing the centre of both covers.



This step may be easier with 2 people:
1 to hold, 1 to check if level.



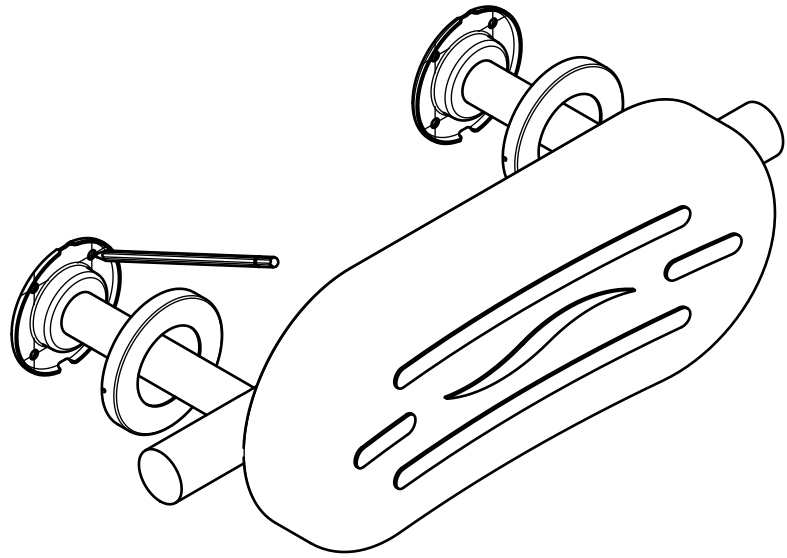
Installation:

3.

Mark 8 x holes on the wall using a pencil.

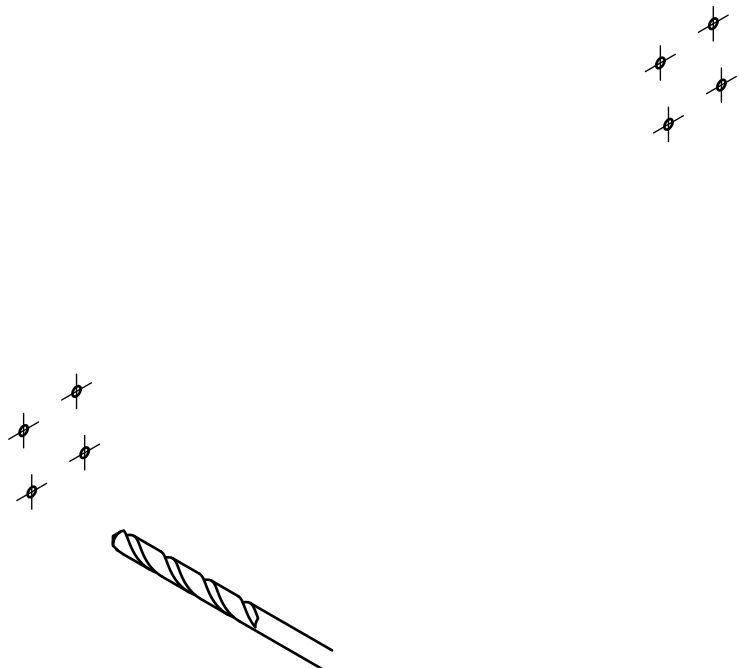


This step may be easier with 2 people:
1 to hold, 1 to mark the fixing holes.



4.

Drill the required fixing hole locations
to the correct diameter and depth for
the chosen fixings.



Installation:

5.

Assess the appropriate fixings to suit the wall and substrate.

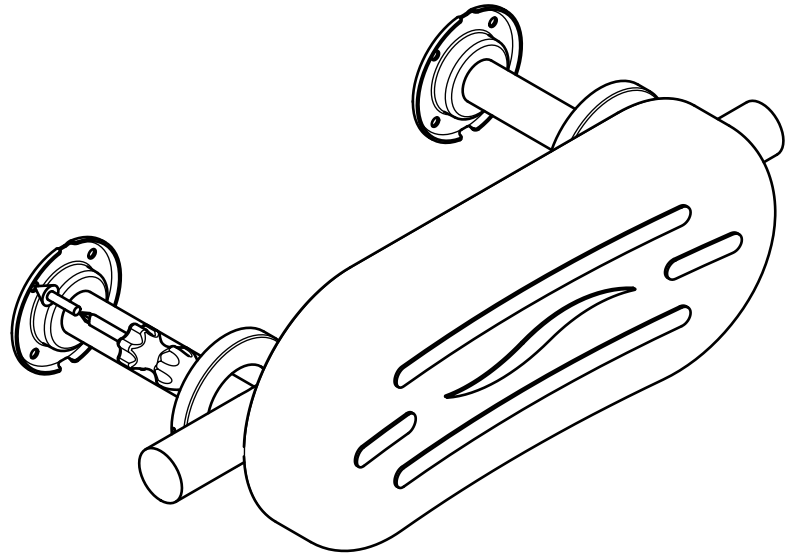
Attach the back rest to the wall using chosen fixings.



Non-corrosive fixings **MUST** be used.

Ensure all fixings are fully tightened.

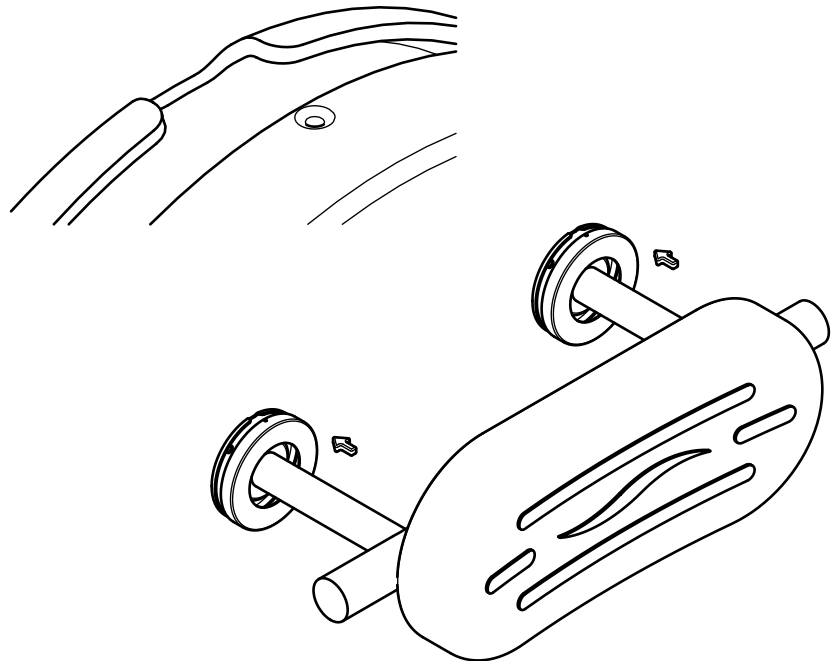
Ensure all fixing heads are suitable to fit within the cover.



6.

Slide the covers onto the wall fixing plates, ensuring the cover pips and wall fixing plate slots are lined up.

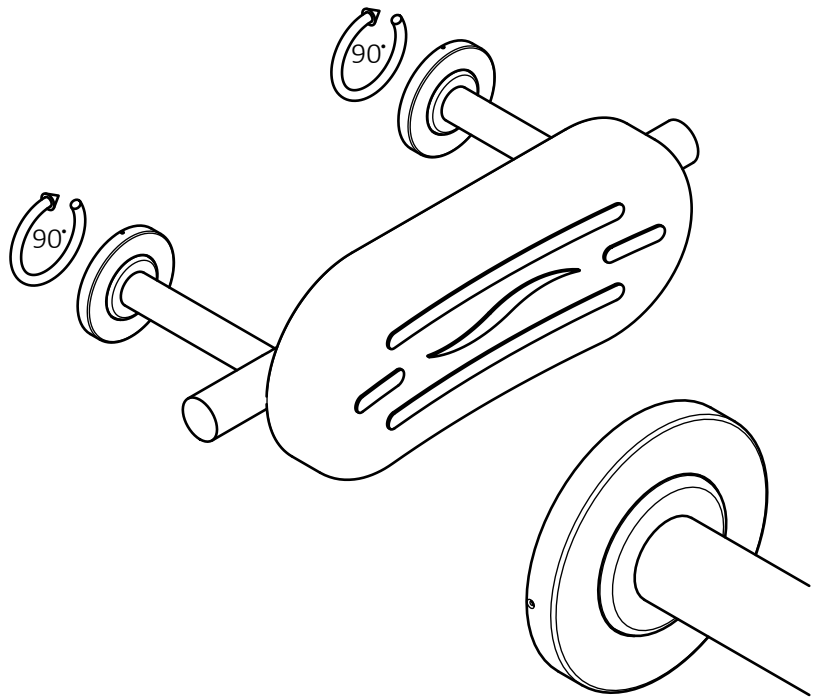
Push until covers are flush against the wall, concealing the wall fixing plates.



Installation:

7.

Rotate covers 90 deg clockwise until secured.



8.

Perform a visual check to ensure the rail is safe to use.

