

TOILET PAPER HOLDER (AGED CAST SERIES)

PXB-AC07-111



PXB-AC07-111-BL

PXB-AC07-111-BR



Generous amounts of brass cast into a nostalgic and rugged finish. A design that is both substantial and reliable and will continue to retain its allure.

Features

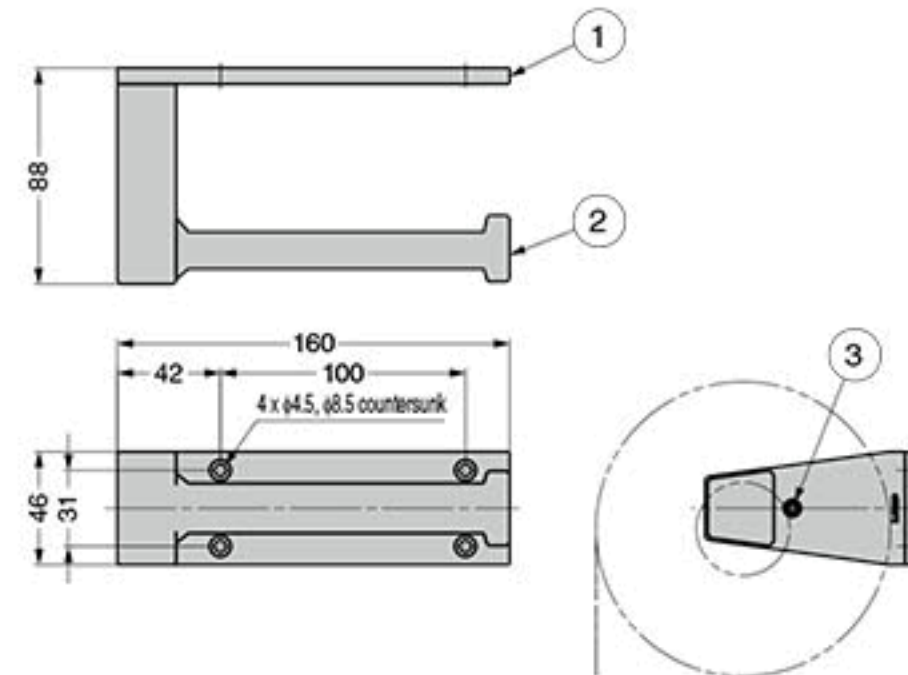
A wide array of matching products is available, allowing for total design coordination.

Remarks

- The finish of the product can vary as the surface processing is effected by the individual properties of each section of brass.
- The slotted set screws are for decoration only. Use the included screws to mount this product.

Parts Included

- Size 4 x 35 cross-recessed flat head tapping screws
- Plug (for nominal 4 screws, compatible with $\phi 6$ drill, plug length 30)



No.	Part Name	Material	Finish/Colour
①	Base	Brass	See table below
②	Arm		
③	Size M6 x 6 Hexagon Socket Set Screws	Steel	Black Chromate Finish (Trivalent)

CAD	Item Code	Item Name	Material	Colour	Load Capacity N	Load Capacity kgf	Weight (g)	Box (pcs)	Carton (pcs)
2030	280-033-722	PXB-AC07-111-BL	Brass	Black Bronze	50	5.1	1310	1	4
2030	280-033-723	PXB-AC07-111-BR		Brown Bronze				1	4