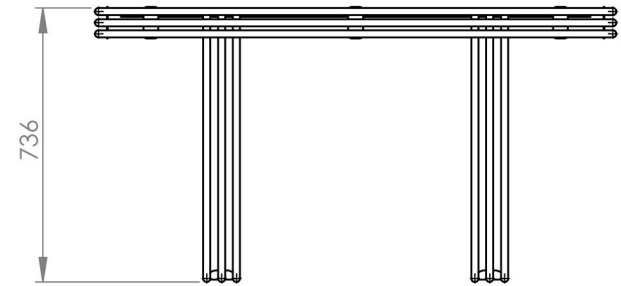
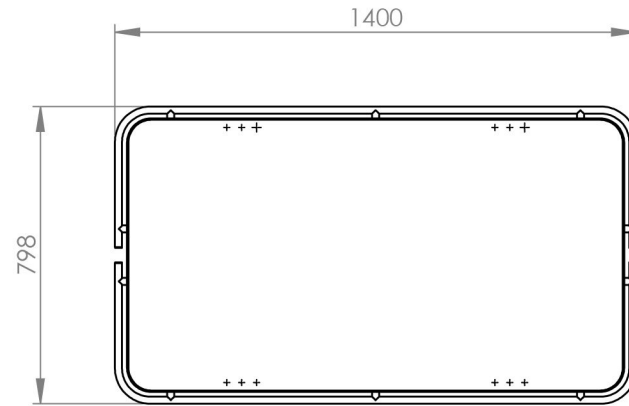
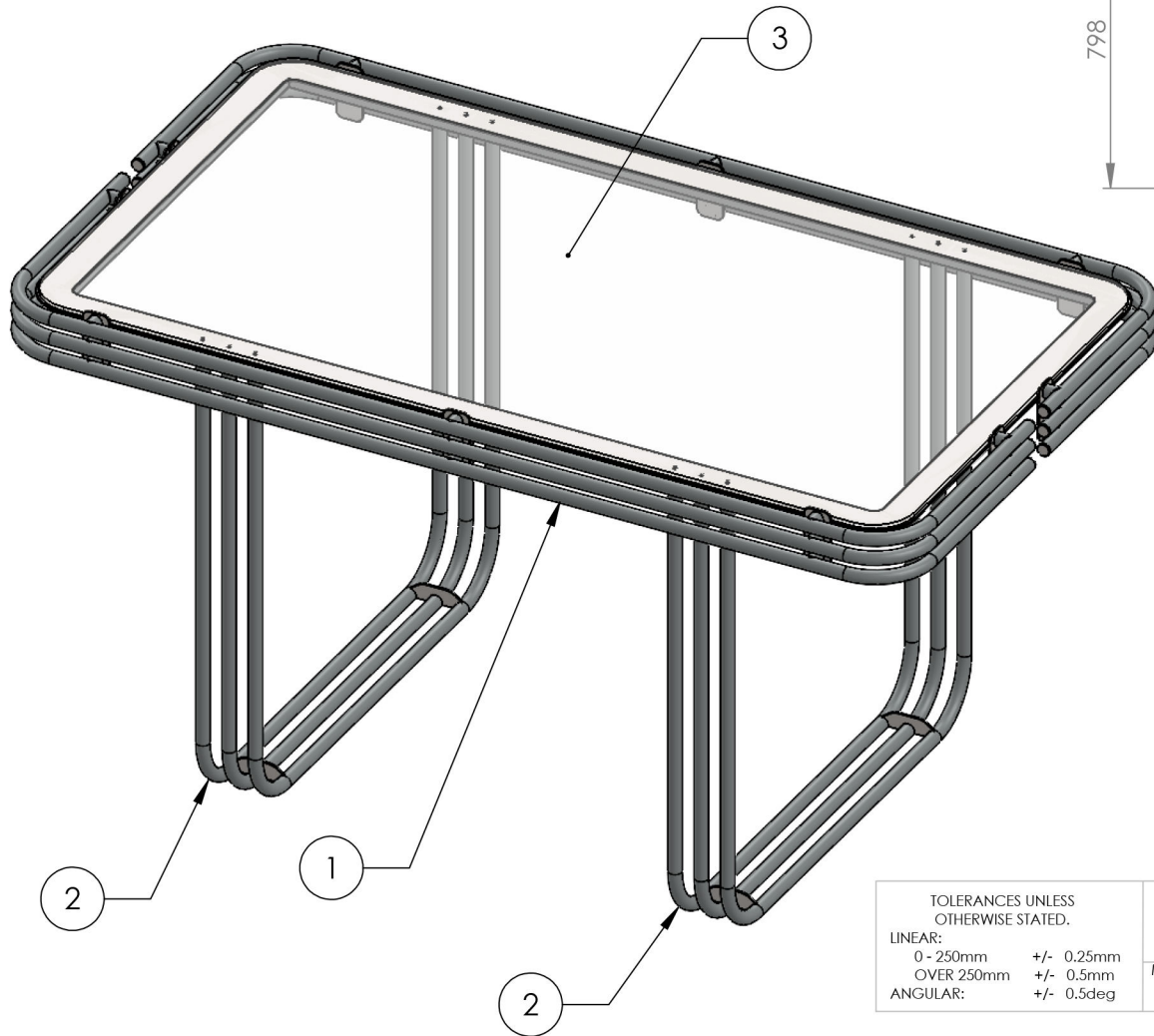



ITEM NO.	PART NUMBER	DESCRIPTION	QTY.
1	SB-MAN-TBL-01	Table Top Assembly	1
2	SB-MAN-HTBL-02	High Table Leg Assembly	2
3	SB-MAN-TBL-03	Table Glass	1

WEIGHT APPROX 44 KG



SCREW LEG ASSEMBLIES TO TOP ASSEMBLY USING
12 OFF STAINLESS M5 X 20 C'SUNK SOCKET HEAD SCREWS



<p>TOLERANCES UNLESS OTHERWISE STATED.</p> <p>LINEAR: 0 - 250mm +/- 0.25mm OVER 250mm +/- 0.5mm ANGULAR: +/- 0.5deg</p>	  <p>MATERIAL: See Parts</p>	TITLE: High Table Assembly	
		DWG/Part NO. HARBML-DINTABLE	
SCALE 1:20		SHEET 1 OF	REVISION