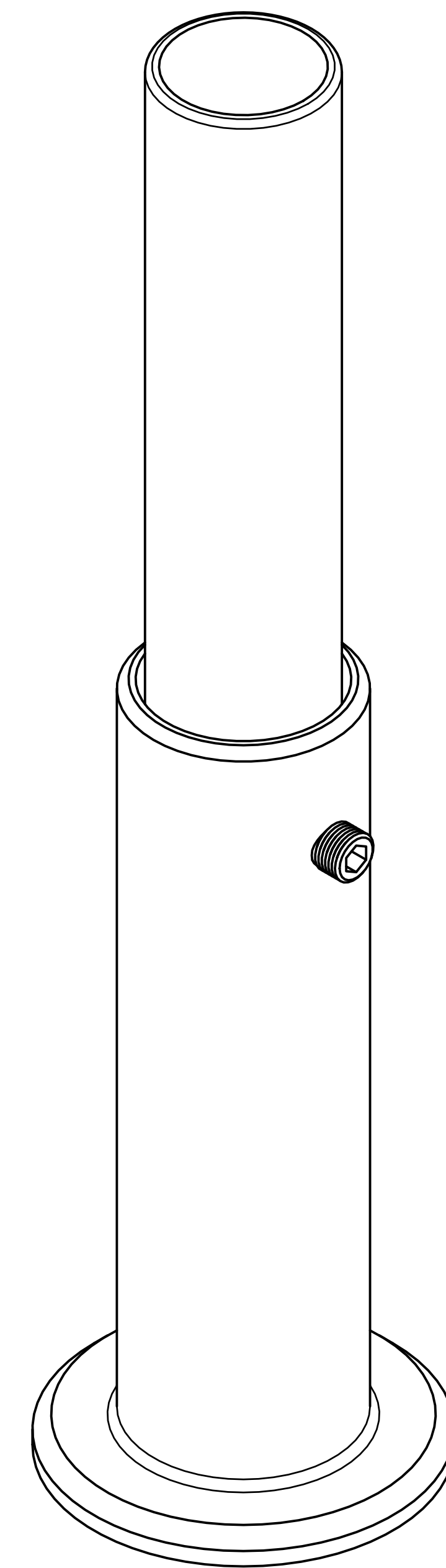
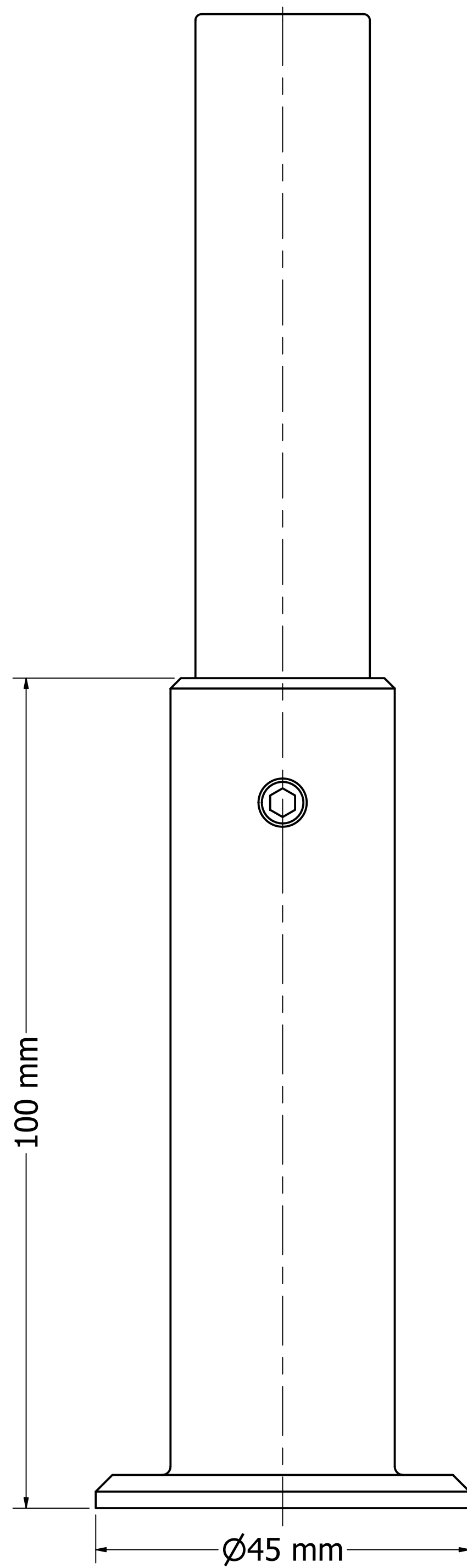


SECTION A-A
SCALE 2 : 1



ASK3 - GTIN - 5056678205303

DRAWN	SD	23-09-2024	Prestige Radiators Limited		
CHECKED			TITLE		
QA			ASK3 - Radiator Pipe Kits		
MFG			SIZE	EAN NO	REV
APPROVED			D	XXX XXX XXX	A
			SCALE	2 : 1	SHEET 1 OF 1