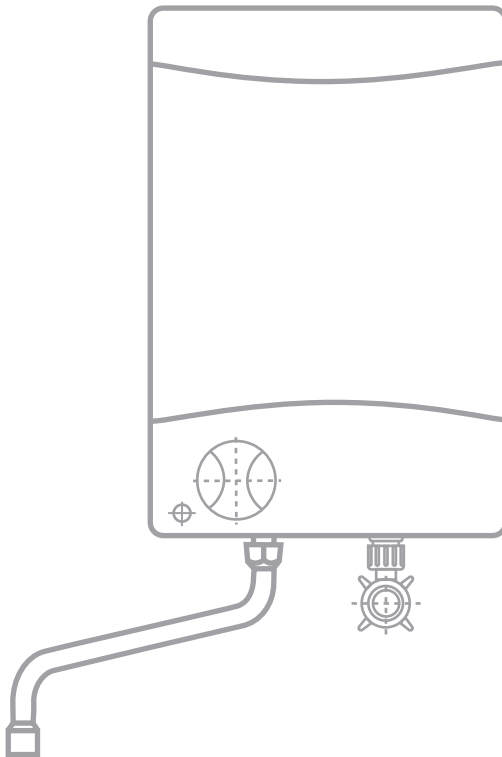




Product Instruction Manual

Handyflow Oversink



HF05LM

5L vented point of use water heater

1. Introduction

Thank you for purchasing a Hyco Handyflow over sink water heater. The heater comes pre-wired and complete with all required fittings. The unit also has an auto-reset thermal cut-out eliminating the need to change thermal fuses making it particularly useful if the unit is expected to be drained frequently.








These instructions contain important information about commissioning, switching the heater on and maintenance. To ensure your safety and that of others we suggest that you read these installation and operating instructions before using the heater for the first time. Please leave the instructions and other documentation with the heater/user.



This heater has been manufactured in accordance with the prescribed standards and has been tested by the competent authorities. It has a Safety Certificate and a Certificate of Electromagnetic Compatibility. The technical data for the product is displayed on the sticker between the inlet and outlet pipes.

The appliance should be installed by qualified persons. All repair and maintenance work on the heater, for example the removal of limestone and water scale deposits, may only be carried out by duly authorised technical staff. The applicable regulations and regional requirements must always be duly observed.

	Complies with the basic safety standards set by European Directives
	Failure to observe the instructions identified by this symbol may endanger persons. Failure to observe the instruction identified by this symbol may lead to damage to the heater.
	Indicates an electrical hazard. Failure you to observe this symbol may endanger persons. Failure to observe the instruction identified by this symbol may lead to damage to the heater.
	Read the manual
	Faulty and/or electrical or electronic appliances that are disposed of must be handed in at the relevant recycling centres set up for this purpose.



This appliance can be used by children aged from 8 years and above and persons with reduced physical, sensory or mental capabilities or lack of experience and knowledge if they have been given supervision or instruction concerning use of the appliance in a safe way and understand the hazards involved.



Children shall not play with the appliance. Cleaning and user maintenance shall not be made by children without supervision.



Only use the supplied fittings when installing the heater, do not attempt to modify them in any way.

2. Mounting Instructions

Environment



This heater is delivered in sturdy packaging in order to avoid damage during transport. This packaging consists mainly of recyclable materials. We request that you dispose of the packaging accordingly for recycling.

Frost



All steps should be taken to avoid the risk of frost damage to the heater. If the heater is likely to be exposed to a risk of frost, all efforts should be made to prevent this, such as the lagging of pipe work.

3. Installation

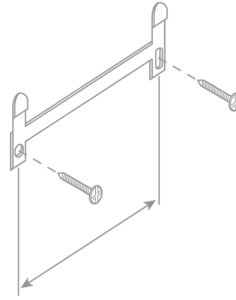
The heater should be installed horizontally with the inlet and outlet fittings at the base of the unit. Any other installation position may result in serious damage to the heater. Installation should take place as close possible to a cold water connection. The product should be protected from the effects of frost.

Wall mounting

Select the mounting position for the heater.

Important:

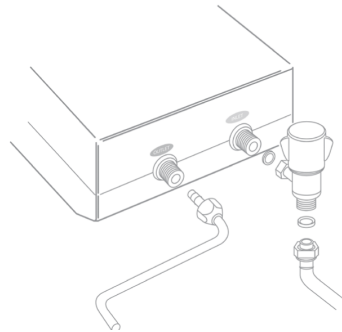
consider where the draw off spout will be positioned before attaching the bracket.



Plumbing

Connect the inlet valve to the cold pipe indicated by the blue collar and make the plumbing connection via the 15mm compression fitting supplied.

Connect the outlet spout to the hot off take indicated by a red collar.



The heater is designed for use in zero-pressure systems. This system allows water to be drawn from a single discharge point only. Never use a shut-off valve in the appliance's outlet.



Only use the zero pressure fittings supplied with the product.



If the mains water supply pressure exceeds 5 bars, a pressure reducing valve must be fitted in the incoming cold supply pipe.

Electrical connection

The heater should be connected to the fixed wiring of the property via an isolation switch with a break distance of at least 3mm.

Connection is made as follows:

- Green/Yellow earth wire to terminal marked or "E"
- Brown live wire to the terminal marked "L"
- Blue neutral wire to the terminal marked "N"



The heater must be filled with water. Only then may the appliance be connected to the electricity supply.



Connection of the heater to the electricity supply must take place in accordance with electric installation standards and as specified by local laws and regulations.



Avoid danger from damaged power supply cables. In the event of damage, the heater/cable must be replaced by the manufacturer or an authorised agent, or by an equivalently-qualified person.



Ensure that the addition of this heater will not overload the fuse protection in your electrical supply.



Internal modifications to the product may cause problems if this work is not carried out by authorised and qualified technical staff. The warranty only applies if the product has not been modified in any way. i.e. subject to it being in unchanged condition.



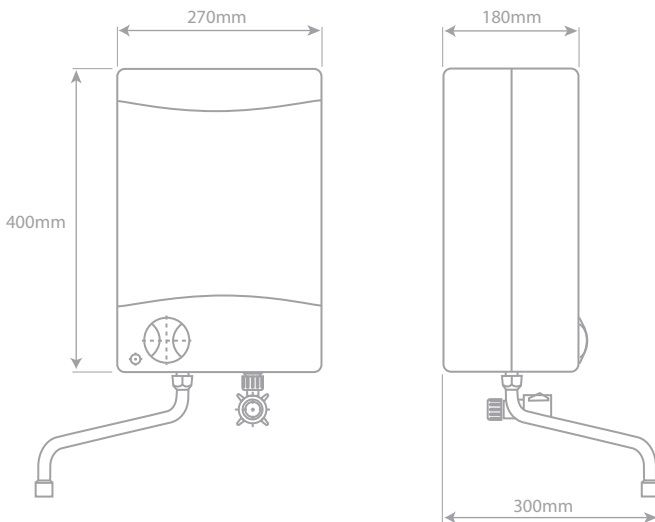
In order to avoid creating an unsafe situation by inappropriate resetting of the maximum temperature safety heater, this unit may not be powered via an external switching heater (a time switch for example) or connected to a circuit, which is regularly switched on and off.



The product is intended for connection to 220-240V single phase supply only. The heater should only be connected to a supply that meets the specifications detailed on the rating label.

Technical specifications

Description		Over-sink
Wall mounting		vertical
Nominal volume	litres	5,3
Construction		open
Heat loss	Wh/h	12,5
Maximum recommended water volume	litres/minute	5
Nominal capacity	kW	2
Nominal voltage	V	1/N/PE 230V
Frequency	Hz	50
Protection class	I	I
IP rating	IP24	
Water connection	inches	G1/2"
Connector material	Brass	
Dimensions (h x w x d)	mm	420x270x180
Temperature range	°C	35 - 75
Distance, pipe to wall	mm	85
Weight when empty	kg	2,8
Operating pressure	MPa	0



4. User Instructions



The heater must be filled with water before connection to the electrical supply.

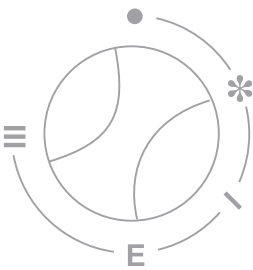


When powering up for the first time, you must verify that the temperature indicator (light) extinguishes when the required temperature is reached.

The heater only switches on again if the temperature falls below this setting.



When filling for the first time, the hot water valve in the low-pressure tap fitting must be open so that water can flow into the heater. If the heater is not filled with water before the element is operated, the automatic safety heater may activate and switch off the appliance. (See trouble shooting for further details).



Temperature setting

•	Cold; heater is switched off.
*	Frost protection: the device switches on if the water temperature falls below 7°C.
I	Heats water to approx. 32°C.
E	Economy position: Heats water to approx. 55°C.
III	Max. temperature approx. 75°C.

Operating the unit at a lower temperature can reduce scaling, save energy and reduce the risk of scalding.

To use the device, simply select the desired temperature setting from the listed options. Once a setting is selected the indicator light will illuminate to signal the element is heating the stored water to the desired temperature. When the light extinguishes the temperature setting has been achieved. When reducing the temperature setting of the heater, it will not take effect until the water has cooled below the new temperature set point.

5. Usage and Maintenance

During heating, the volume of the water in the tank expands, causing a flow of water (ex- panded water) from the outlet fitting. This is perfectly normal. Further tightening of the tap will not prevent this but may damage valve.

Frost



If the risk of frost damage exists the heater should be left on at all times with the thermostat set to minimum setting of (frost protection setting). When set to this position, the heater maintains the water temperature at approximately 7° C.



If the heater is likely to be unused for long periods it is advised that it is disconnected from the power and water supply and then drained to avoid the risk of frost damage and also stagnant water effects. If it is suspected the heater contains frozen water it should not be turned on, contact your place of purchase or installer for advice.

Maintenance



This heater does not require any maintenance by the user. Professional maintenance should always be carried out by an expert.



If faulty, never try to repair the heater yourself. Please contact the nearest service specialist or the party that supplied the appliance originally.

De-scaling

A service inspection should be performed by authorized and qualified technical staff every year. De-scaling of the heater during this inspection is highly recommended, especially if you live in an area with hard water exceeding 12° dH. Higher water temperature will intensify calcification. It is therefore recommended to set the heater at maximum 55° C (energy-saving setting) in areas with extremely hard water > 16° dH.

Cleaning

The enclosure can simply be cleaned with a damp cloth. Do not use aggressive cleaners or cleaners with a scouring effect.

Legionella Prevention

Do not use heated water as drinking water. After prolonged shutdown of the heater for example during holidays, the heater should be fully heated up to the maximum temperature and water flushed through the tank for at least one minute.

6. Trouble Shooting

Fault	Explanation	Solution
The element indicator does not light up	No electrical supply	Check electrical supply
	Thermostat set point reached	Turn up thermostat
Too little/no water	Water pressure too low	Check whether other cold water taps have the same problem
	Water flow too low	Open the stop-cock
	No water	Turn off the power supply and refer to 'Heater not working'
Signs of leaking	Heater is leaking	Notify the place of purchase
	Water connections loose	Tighten/ re seal connections
Tap drips	Water expansion vented water heaters	Nothing, this is normal for
Bubbling noise from the tank	Too much calcification	Arrange for the heater to be de-scaled.
Heater not working	If the heater no longer operates, check whether the fuse or the circuit-breaker has tripped. The hot water reservoir is equipped with a maximum temperature switch to ensure your safety. The heater will automatically switch off if excessive heating takes place. When this happens, isolate the power supply to the appliance for a few minutes by removing and allow the appliance to cool. The appliance can be reconnected to the mains power supply again after approximately 20 minutes.	

7. Guarantee and service policy

This product is guaranteed against faulty materials and manufacture for a period of one year from the date of purchase. Hyco will in its sole discretion replace, repair or refund any faulty unit. Incorrect installation, frost damage and the consequences of limescale deposits are excluded. Consequential costs such as labour charges or damage to fittings and surroundings are expressly excluded.



INFORMATION FOR CORRECT DISPOSAL OF THE PRODUCT IN ACCORDANCE WITH THE EUROPEAN DIRECTIVE 2012/19/EU.

At the end of its working life this equipment must not be disposed of as household waste. It must be taken to a local authority waste collection centre or to a dealer providing this service. Disposing of electrical and electronic equipment separately enables its components to be recovered and recycled to obtain significant savings in energy and resources. In order to underline the duty to dispose of this equipment separately, the product is marked with a crossed-out dustbin.

Hycos Manufacturing Ltd
Normandy Court
Express Way
Castleford, WF10 5NR

T 01924 225 200
F 01924 225 210
E sales@hycos.co.uk

hycos.co.uk