

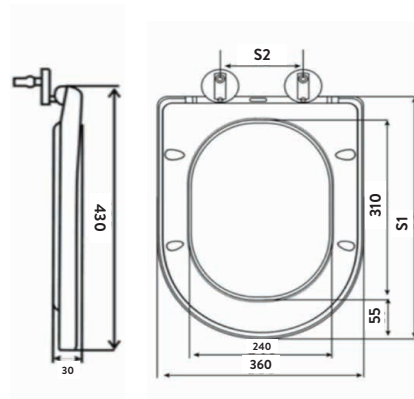
PRODUCT DATA SHEET

Wrap Over Seat

Product Code: 777-WRAP-SEAT

Product Name	777-WRAP-SEAT
Product Description	30mm Wrap Over Seat
Product Transportation	
Barcode	5060713720355
Country of origin	CH
Commodity code	3922200000
Product Measurements	
Product Weight (KG)	1
Product Width (mm)	360
Product Height (mm)	40
Product Depth (mm)	0
Product Length (mm)	430
Primary Packed Measurements	
Packaged Weight	1.5
Packed Length	445
Packed Width	380
Packed Height	60
Packaging Weights	
Card (kg)	0.3
Paper (kg)	0
Wood (kg)	0
Plastic (kg)	0
Compliance DOP	0

General Information	
Construction Material	ABS
Installation type	Top Fix
Colour / Finish	White
Toilet Seat Specification	
Quick release	Yes
Soft Close	Yes
Top or Bottom Fix	Top Fix
Shape	D-Shaped
Adjustment (mm)	45-200



Dimensions
(measurements in mm)