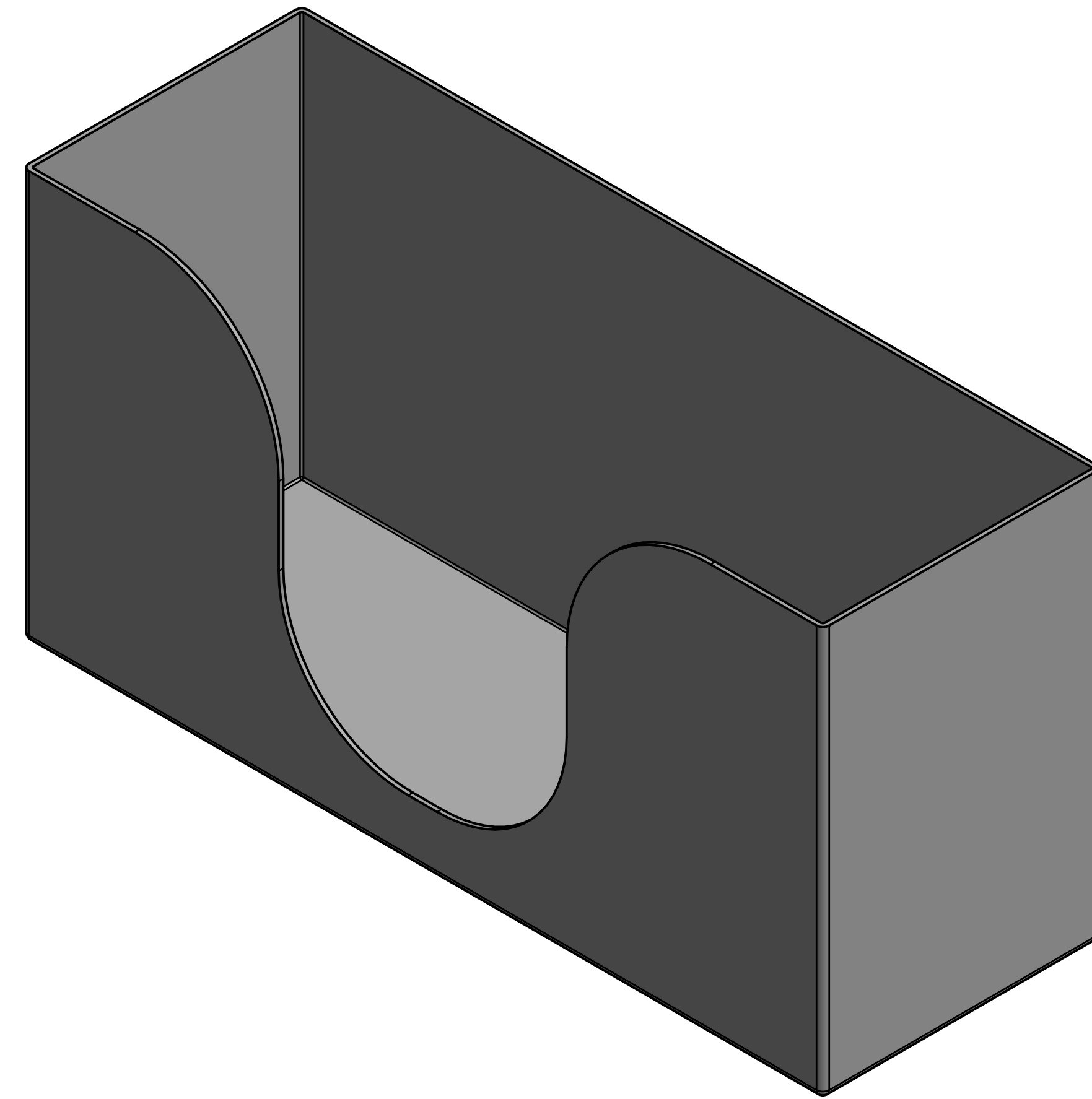
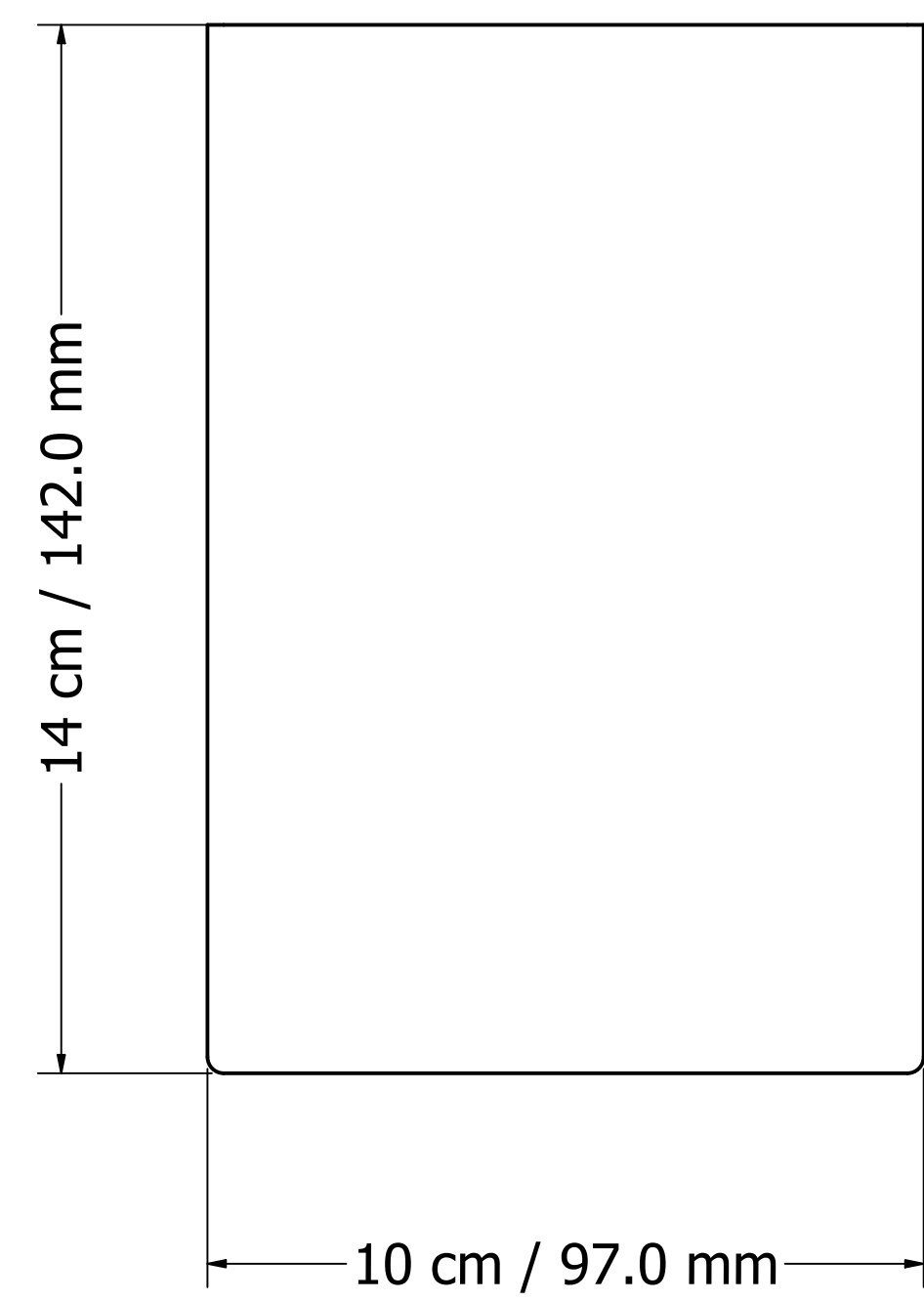
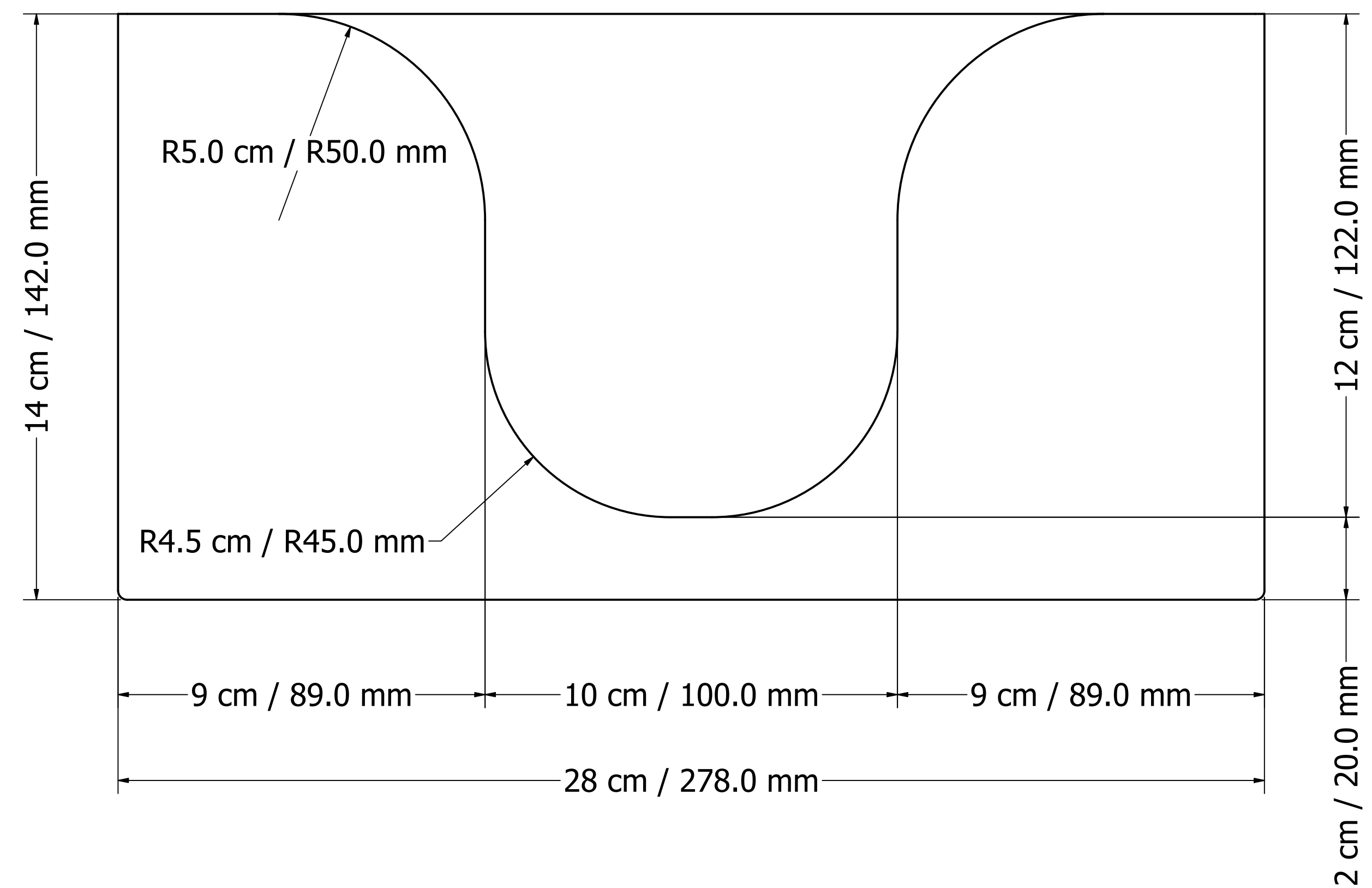
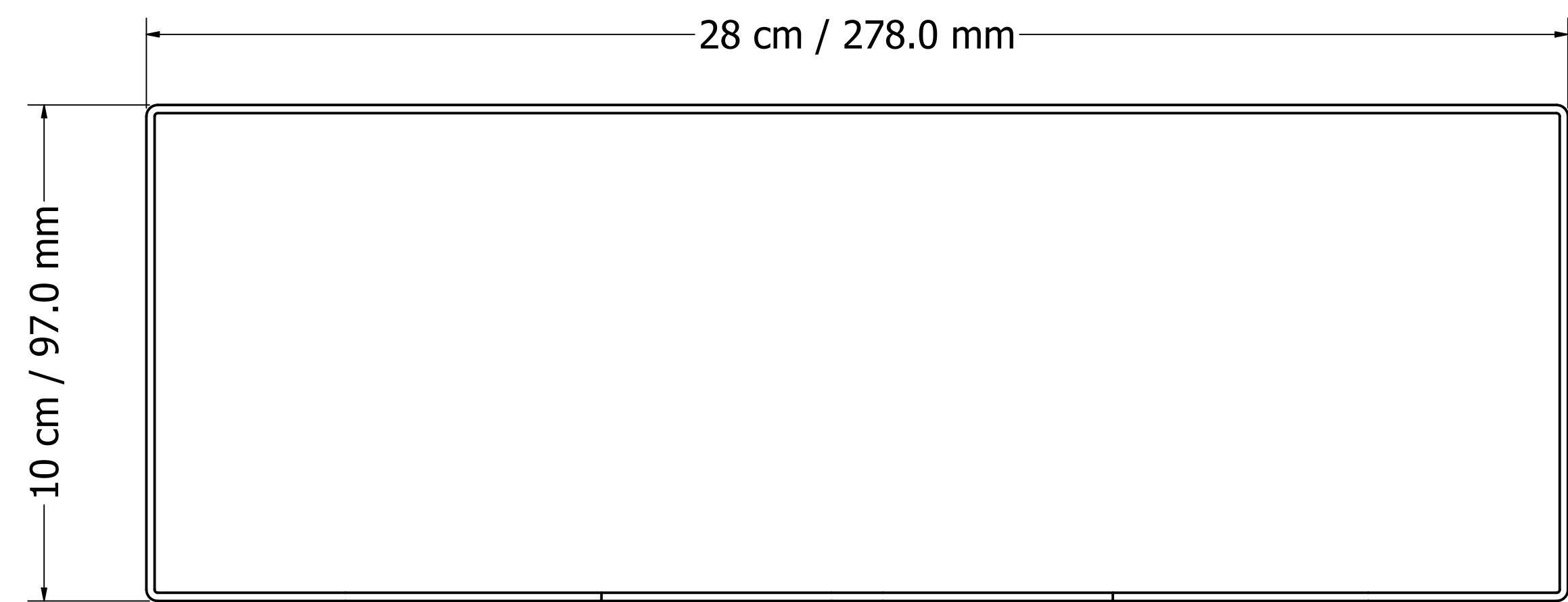


8 7 6 5 4 3 2 1



8 7 6 5 4 3 2 1

| | | | | | |
|----------|----|------------|--|------------|--------------|
| DRAWN | SD | 11-09-2024 | Prestige Radiators Limited | | |
| CHECKED | | | TITLE | | |
| QA | | | Prestige Paper Towel Dispenser Free Standing | | |
| MFG | | | REV A | | |
| APPROVED | | | SIZE | EAN NO | REV |
| | | | D | XX XXX XXX | A |
| | | | SCALE | 1 : 1 | SHEET 1 OF 1 |

D
C
B
A

D
C
B
A