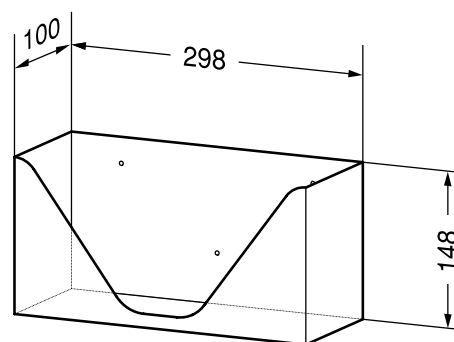


Sanitary bag storage container in stainless steel



- Full metal housing in robust, easy-to-clean stainless steel AISI 304, satin finished.
- Designed for paper sanitary bags.
- Simple mounting: line up with tiles and fasten with 3 screws.
- Also available upon request in a polished finish or with other surfaces.



Suggested text for specifications:

Sanitary bag storage container in stainless steel AISI 304 for surface mounting, satin finished.

Dimensions 298 x 148 x 100 mm; includes mounting components.

Article No. WP 155